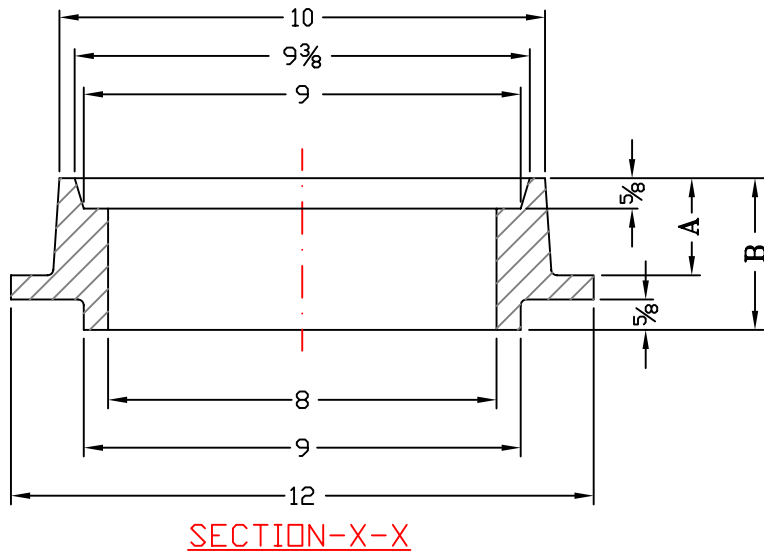


OUT PATT.NO.	A	B
3902 -300	2½	3
3902 -150	1	1½
3902 -175	1¼	1¾
3902 -200	1½	2
3902 -250	2	2½



R.#	REVISION	DATE	R.BY	APPR.

R. B. AGARWALLA & Co.

2/6, SARAT BOSE ROAD, CALCUTTA-20, INDIA

TITLE: <u>ADAPTORS FOR VALVE BOXES.</u>	
DRAWN BY :- P.BHOWMIK	DATE :- 11.6.85
APPROVED BY :- BNA	DRG. NO.:- N3802

DIMENSION:- All are in inches	MARKING:- Lettering for specification will be cast as per requirement.	MATERIAL:- ASTM A48 Class 30.
FINISH:- Coating will be black bituminous paint	MACHINING:- Not Required.	