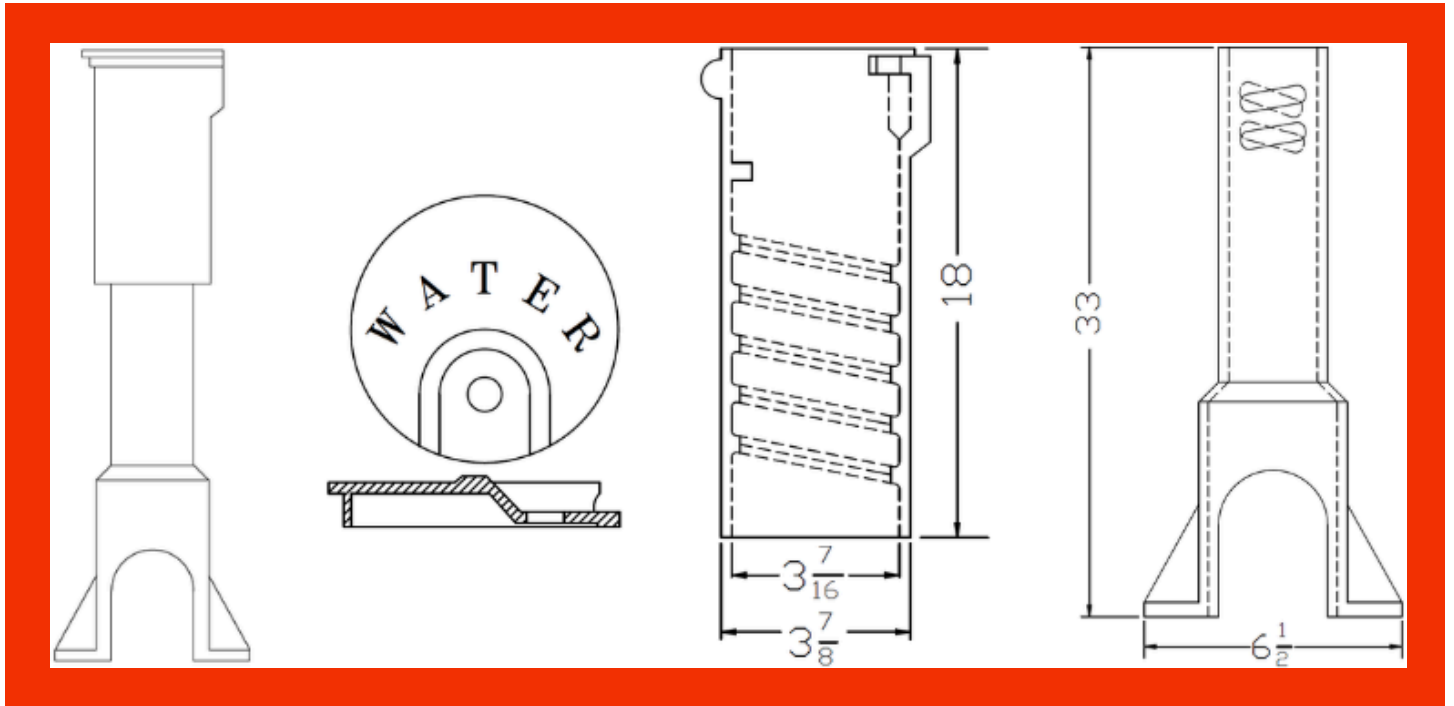




CLAY & BAILEY
MANUFACTURING COMPANY

93D CURB BOX



Features:

The 93D Curb Box Features a Lid marked WATER, a 18" Top Section, and a 27" Bottom Section.

Curb Boxes provide access to municipal water or gas shut-off valves.

The screw fitting allows these to be adjustable in height.

We currently only stock Foreign castings.

These castings are only sold in sets.

Pieces are not available for purchase separately.

Part Number Variations:

00093-01-6000 Foreign Curb Box Set

Revision Date: 3/16/26

Weights
Curb Box Set 35 Lbs.

Material Spec:
ASTM A48, CLASS 35B, GRAY IRON



www.claybailey.com



sales@claybailey.com



[1-800-821-6583](tel:1-800-821-6583)