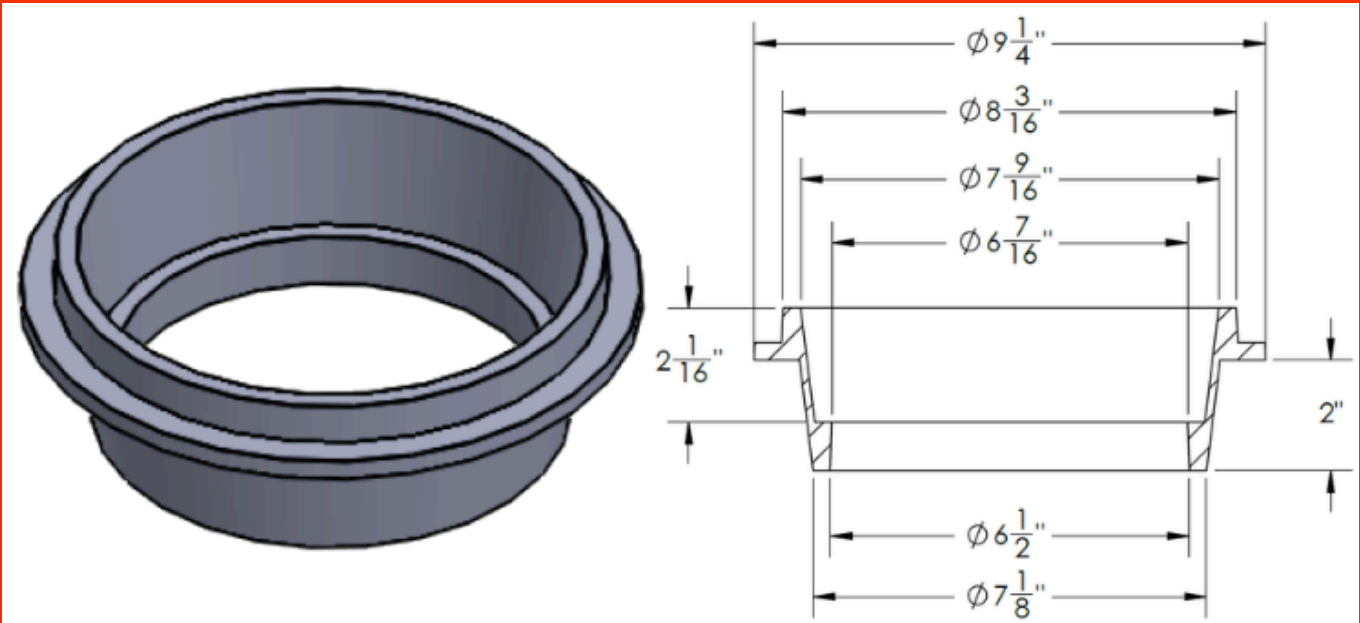




**CLAY & BAILEY**  
MANUFACTURING COMPANY

## 8500 / 1080 SERIES VALVE BOX RISERS



### Features:

The EJ 8500 Series Domestic Risers and the 1080 Series Foreign Risers fit Valve Box lids with an Outside Diameter of 7.25" and a Lid Seat that measures 2".

The EJ 8500 Series is available in sizes ranging from 1" - 6".

The 1080 Series is available in sizes ranging from 1" - 2".

Contact [sales@claybailey.com](mailto:sales@claybailey.com) for information on non-stock sizes.

### Part Number Variations:

EJ 85008010 1" Domestic Valve Box Riser  
EJ 85008015 1.5" Domestic Valve Box Riser  
EJ 85008020 2" Domestic Valve Box Riser  
EJ 85008030 3" Domestic Valve Box Riser  
EJ 85008040 4" Domestic Valve Box Riser  
EJ 85008060 6" Domestic Valve Box Riser

01080-01-6100 1" Foreign Valve Box Riser  
01080-01-6150 1.5" Foreign Valve Box Riser  
01080-01-6200 2" Foreign Valve Box Riser

Revision Date: 3/17/26

Material Spec:  
ASTM A48, CLASS 35B, GRAY IRON



[www.claybailey.com](http://www.claybailey.com)



[sales@claybailey.com](mailto:sales@claybailey.com)



[1-800-821-6583](tel:1-800-821-6583)