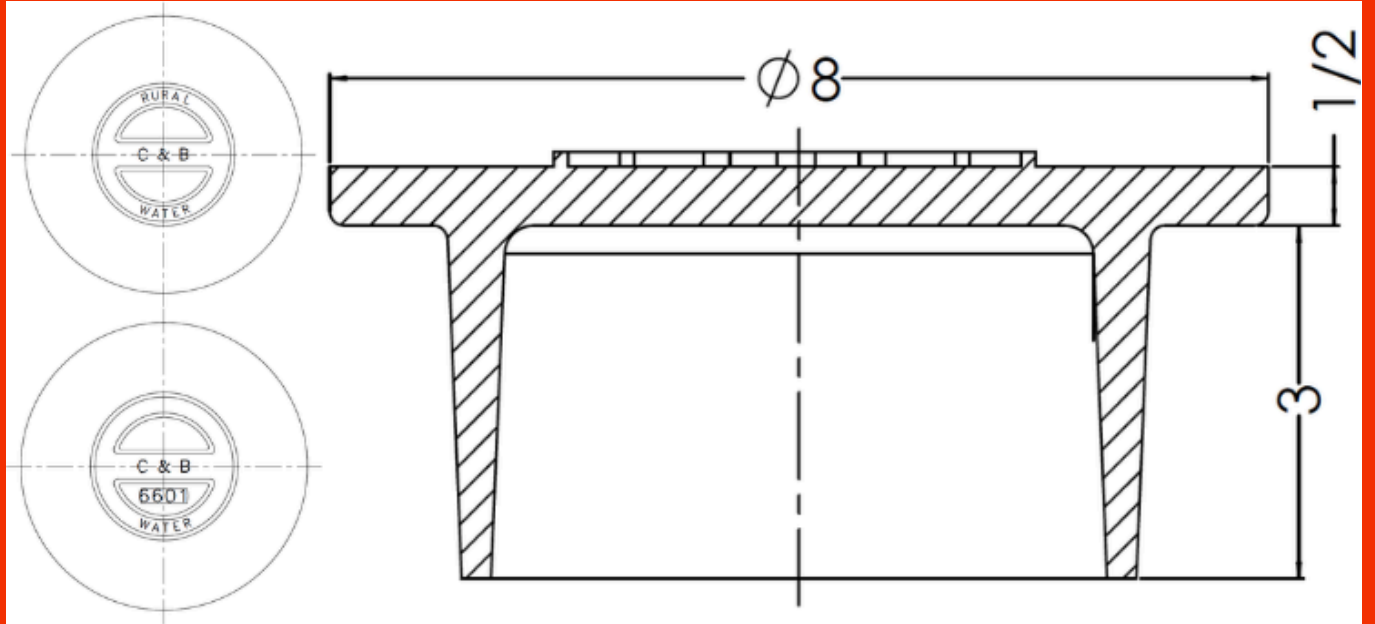




**CLAY & BAILEY**  
MANUFACTURING COMPANY

## 2615 6" MUSHROOM COVER



**Features:**

The 2615 6" Mushroom Cover is for use with a 6" PVC Pipe.

**Lid markings available include:**

Rural Water, Water, and Sewer.

**Part Number Variations:**

02615-01-6000 Domestic Lid M/ Rural Water

02615-01-6001 Domestic Lid M/ Water

02615-01-6003 Domestic Lid M/ Sewer

02615-01-6600 Foreign Lid M/ Rural Water

02615-01-6601 Foreign Lid M/ Water

Revision Date: 3/10/26

**Weights**  
Cover **11.5 Lbs.**

**Material Spec:**  
ASTM A48, CLASS 35B, GRAY IRON



[www.claybailey.com](http://www.claybailey.com)



[sales@claybailey.com](mailto:sales@claybailey.com)



[1-800-821-6583](tel:1-800-821-6583)