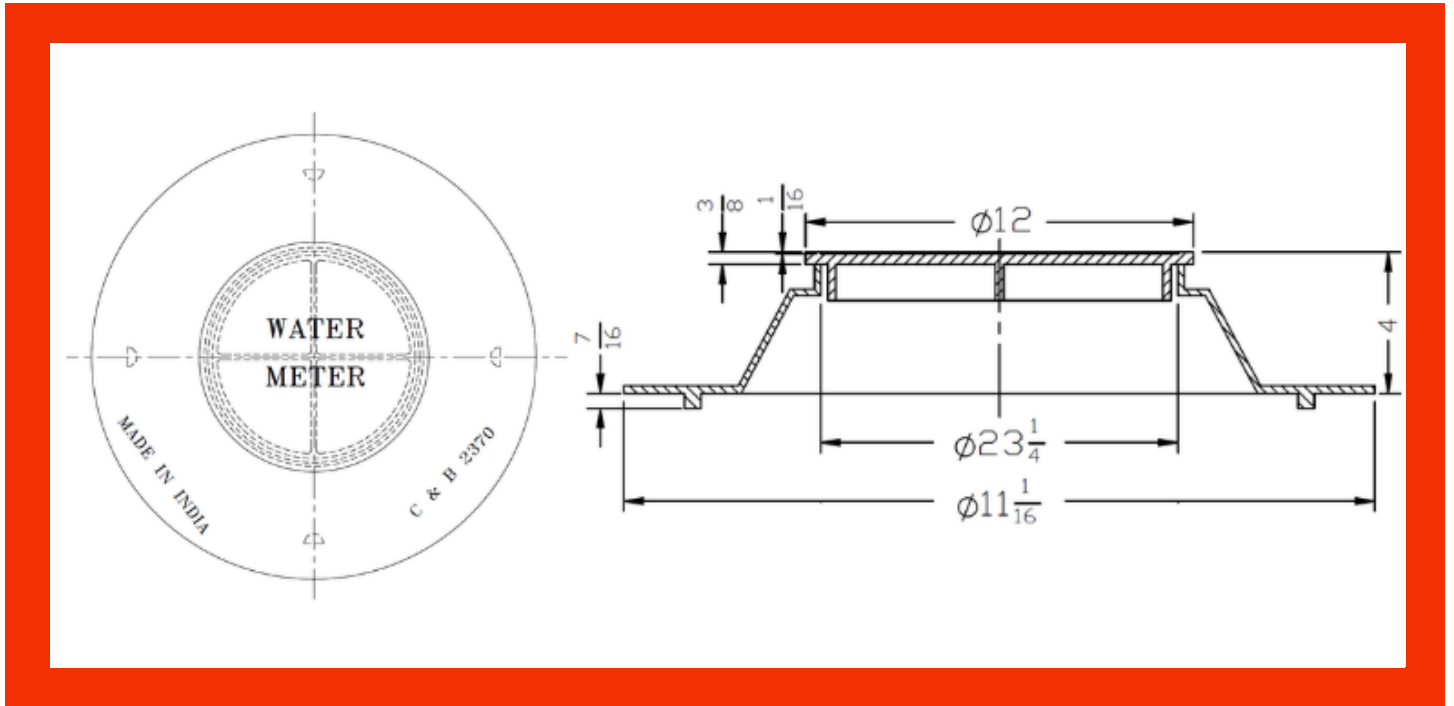




**CLAY & BAILEY**  
MANUFACTURING COMPANY

## 2370 20" METER COVER



**Features:**

The 2370 Meter Cover is for use with an 21" nominal meter pit.

Lids are currently available in both Foreign and Domestic. Domestic lids will be discontinued once we sell out.

Rings are currently only stocked in Foreign .

**Part Number Variations:**

02370-01-1001 Domestic Lid

\*\*\*ONLY WHILE SUPPLIES LAST\*\*\*

02370-01-6001 Foreign Lid

02370-01-6050 Foreign Ring

**Weights**

Lid 15.5 Lbs.

Ring 35 Lbs.

Material Spec:

ASTM A48, CLASS 35B, GRAY IRON

Revision Date: 3/20/26



[www.claybailey.com](http://www.claybailey.com)



[sales@claybailey.com](mailto:sales@claybailey.com)



1-800-821-6583