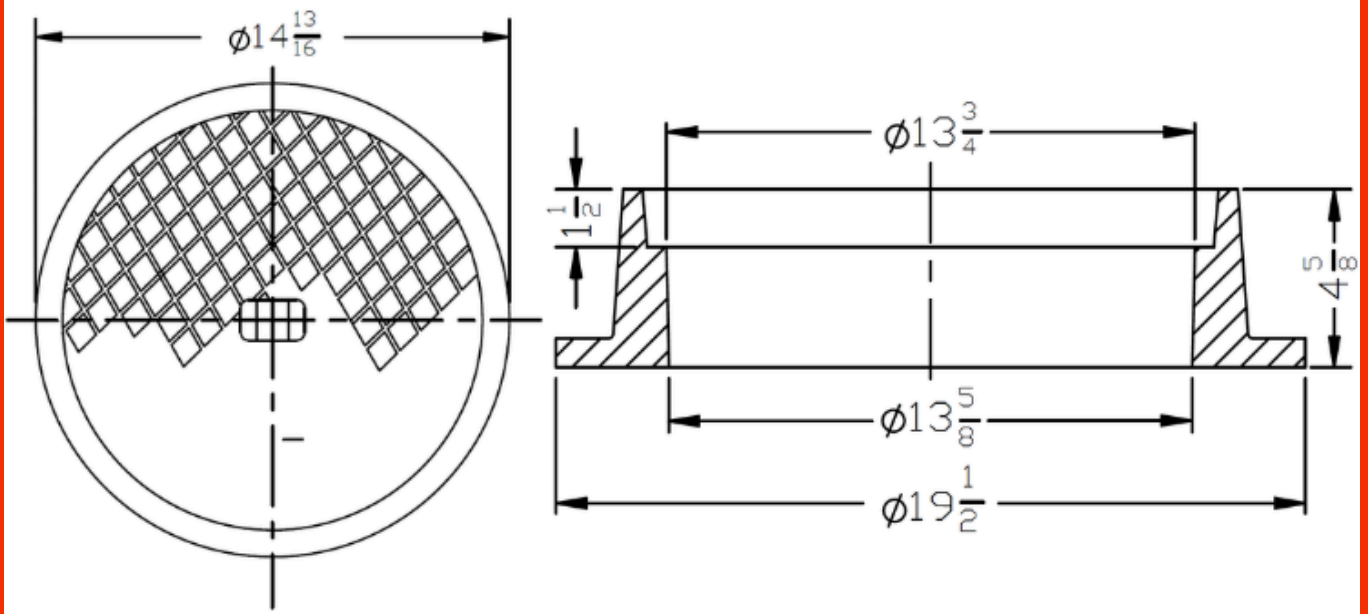




CLAY & BAILEY
MANUFACTURING COMPANY

2239 LAMP HOLE COVER



Features:

The 2239 Lamp Hole Cover is for use with large pipe and/or large pipes with cleanout assemblies.

Part Number Variations:

02239-01-6001 Foreign Plain Lid

02239-01-6050 Foreign Ring

We currently only stock Foreign castings.

Weights

Lid 33 Lbs.

Ring 76 Lbs.

Material Spec:

ASTM A48, CLASS 35B, GRAY IRON

Revision Date: 3/16/26



www.claybailey.com



sales@claybailey.com



1-800-821-6583