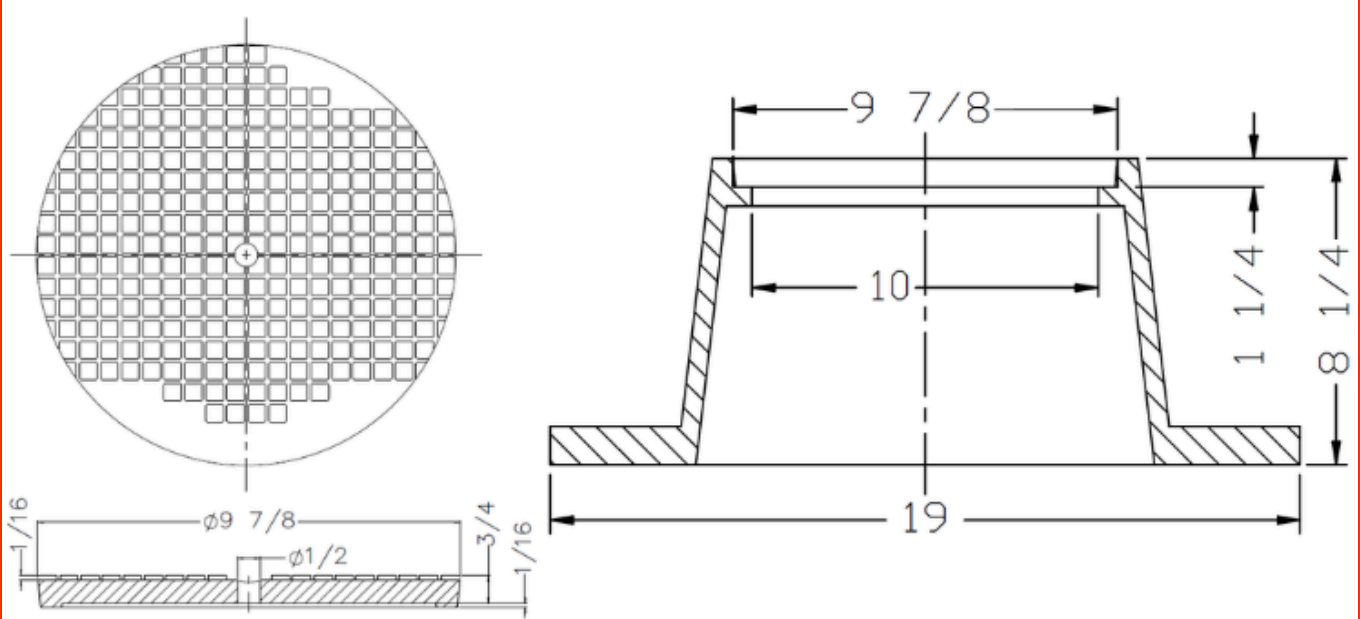




CLAY & BAILEY
MANUFACTURING COMPANY

2238 LAMP HOLE COVER



Features:

The 2238 Lamp Hole Cover is for use with large pipe and/or large pipes with cleanout assemblies.

The Lids are currently available in Foreign and Domestic.

Domestic lids will be discontinued once we sell out. We currently only stock the Ring in Foreign.

The AM HWY 2238 series domestic steel risers are used with these lids in 1" and 2".

Part Number Variations:

02238-09-1001 Domestic Diamond Plate Steel Lid

02238-01-6001 Foreign Plain Lid

02238-01-6050 Foreign Ring

Weights

Lid 13 Lbs.

Ring 81 Lbs.

Material Spec:

ASTM A48, CLASS 35B, GRAY IRON

Revision Date: 3/17/26



www.claybailey.com



sales@claybailey.com



1-800-821-6583