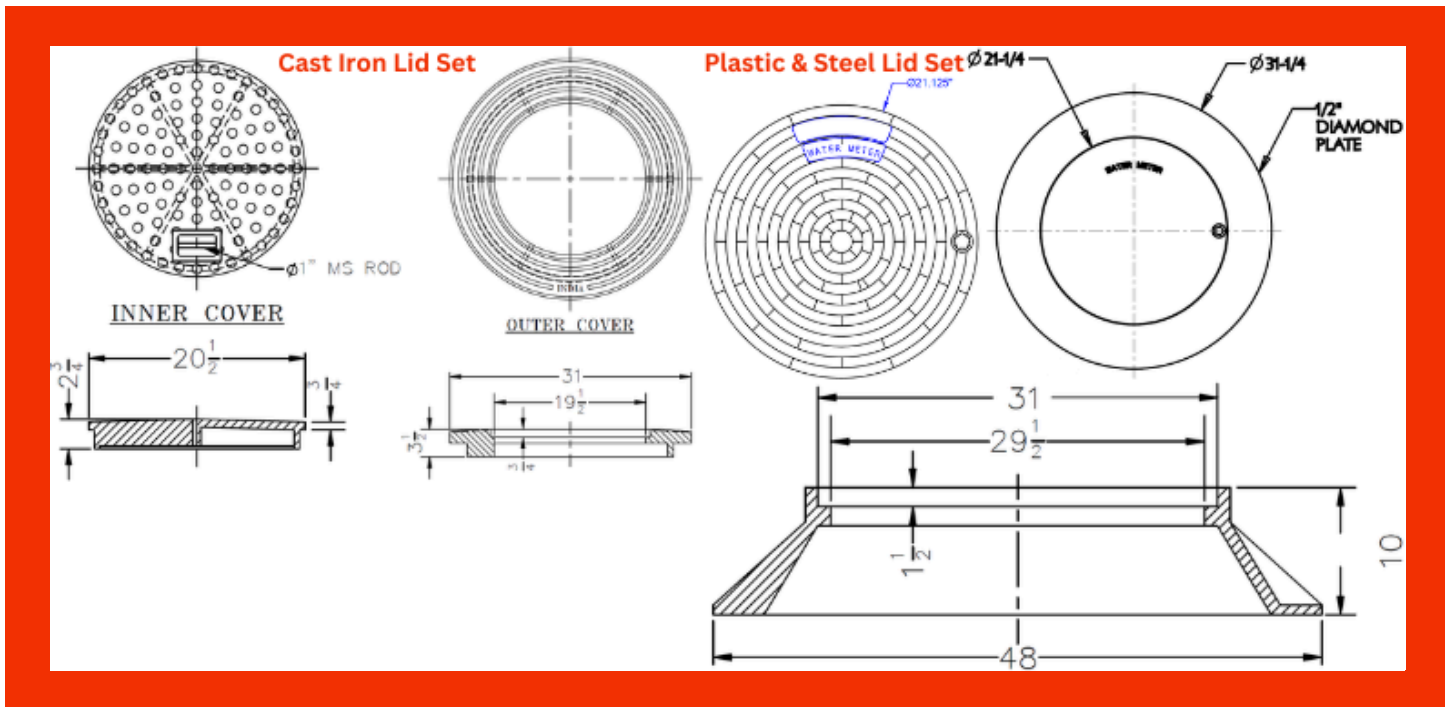




**CLAY & BAILEY**  
MANUFACTURING COMPANY

## 2214 METER VAULT COVER



### Features:

The 2214 Meter Cover is for use with a precast or cast-in-place meter vault.

We offer 2 different lid sets that fit with this ring. These sets do not interchange.

The Plastic & Steel Lid Set is lighter duty and allows for wireless data transmission for meter data. The Cast Iron Lid Set is heavier duty and is recommended for heavy traffic areas.

These lid sets also fit the 2215 ring, which is shorter and smaller.

The Plastic & Steel pieces are currently available in Domestic castings only.

The Cast Iron pieces are currently available in Foreign castings only.

The AM HWY 2214 series domestic steel risers are used with these lid sets in 2".  
Revision Date: 3/17/26

### Part Number Variations:

#### PLASTIC & STEEL LID SET:

- 02214-09-1001 Domestic Diamond Plate Steel Outer Lid
- 02351-16-1001 Domestic 21.25" Plastic Inner Lid m/ WATER METER
- 02351-16-1002 Domestic 21.25" Plastic Inner Lid m/ OLATHE w/ AMR Hole
- 02351-16-1003 Domestic 21.25" Plastic Inner Lid m/ WATERONE w/ AMR Hole

#### CAST IRON LID SET:

- 02214-01-6001 Foreign Outer Lid
- 02214-01-6002 Foreign Inner Lid

#### RING:

- 02214-01-6050 Foreign Ring

### Weights

- Plastic Inner Lid 12 Lbs.
- Steel Outer Lid 65 Lbs.
- Cast Iron Inner Lid 195 Lbs.
- Cast Iron Outer Lid 95 Lbs.
- Ring 392.5 Lbs.

### Material Spec:

ASTM A48, CLASS 35B, GRAY IRON



[www.claybailey.com](http://www.claybailey.com)



[sales@claybailey.com](mailto:sales@claybailey.com)



1-800-821-6583