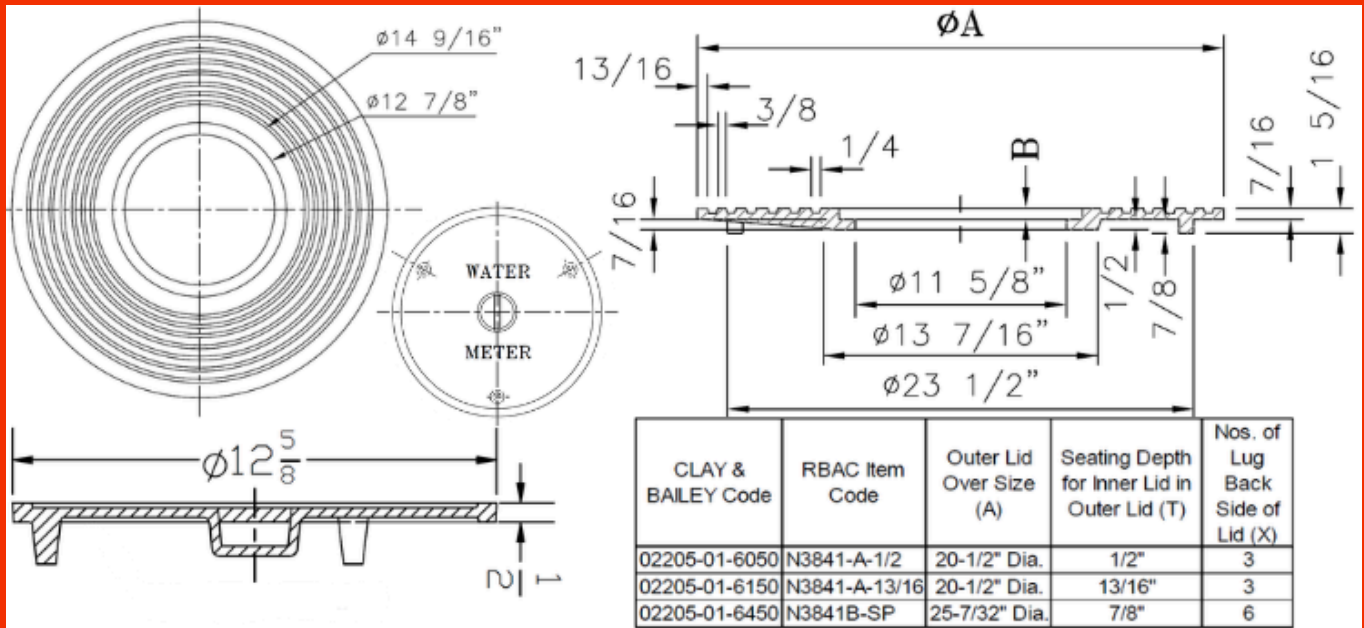


## 2205 LOW PROFILE METER COVERS



### Features:

The 2205 Low Profile Meter Rings Covers are for use with multiple meter pit sizes - See above for details.

These rings fit with the 2210 lids.

The lids are available in both Foreign and Domestic. We currently only stock the rings Foreign castings.

Please see our plastic lid listing for options other than cast iron.

### Part Number Variations:

EJ 00842525 Domestic Solid Lid  
 EJ 00842545 Domestic Lid w/ Offset AMR Hole  
 EJ 00842550 Domestic Lid m/ SEWER  
 EJ 00842555 Domestic Lid w/ 2 Offset AMR Holes

02210-01-6001 Foreign Solid Lid  
 02210-01-6002 Foreign Lid w/ Center AMR Hole  
 02205-01-6050 Foreign 18" Low Profile Ring  
 02205-01-6150 Foreign 20.5" Low Profile Ring  
 02205-01-6450 Foreign 24" Low Profile Ring for Composite Lid

### Weights

Lid 10 Lbs.  
 18" Ring 29 Lbs.  
 20.5" Ring 30 Lbs.  
 24" Ring 49 Lbs.

### Material Spec:

ASTM A48, CLASS 35B, GRAY IRON

Revision Date: 3/20/26