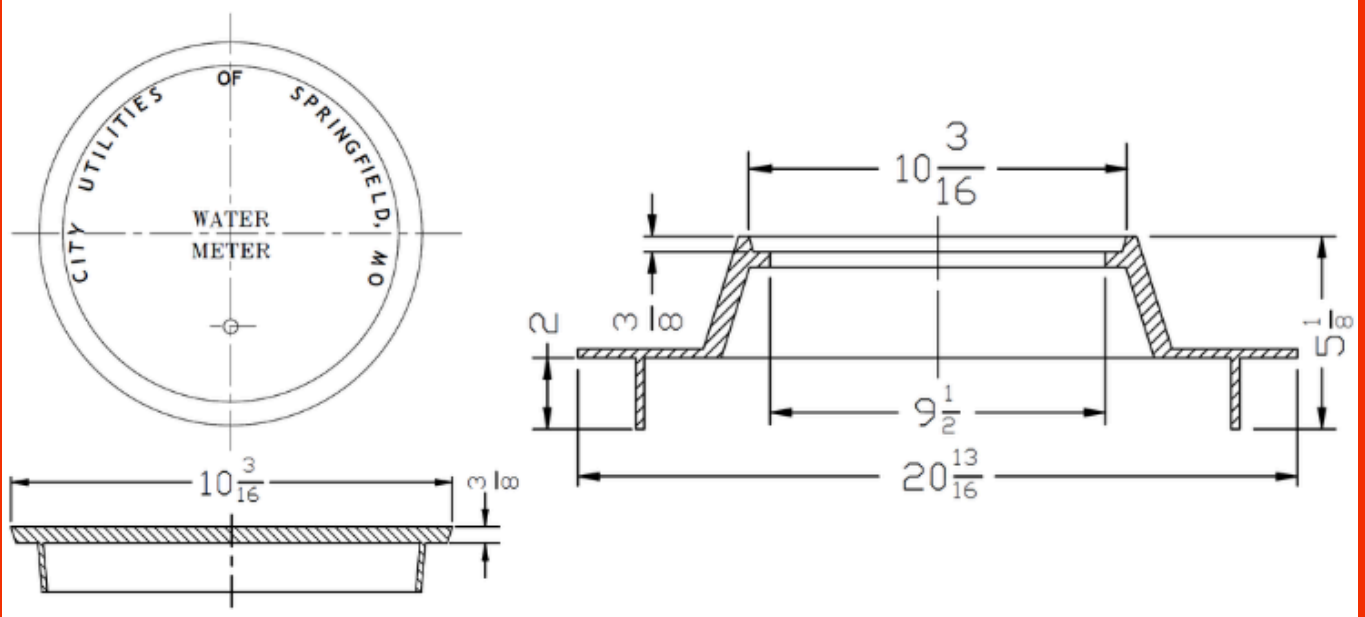




**CLAY & BAILEY**  
MANUFACTURING COMPANY

## 2204 18" METER COVER



### Features:

The 2204 Meter Cover is for use with an 18" nominal meter pit.

These are used in Southern Missouri and are marked with city names.

Lids are currently available in both Foreign and Domestic as listed.

Rings are currently only stocked in Foreign .

### Part Number Variations:

- 02204-01-1001 Domestic Lid m/ City Utilities Springfield, Mo
- 02361-01-1002 Domestic Lid m/ City of Nixa, Mo
- 02204-01-6001 Foreign Lid m/ City Utilities Springfield, Mo
- 02204-01-6050 Foreign Ring

### Weights

Lid 19 Lbs.

Ring 31 Lbs.

Material Spec:

ASTM A48, CLASS 35B, GRAY IRON

Revision Date: 3/10/26



[www.claybailey.com](http://www.claybailey.com)



[sales@claybailey.com](mailto:sales@claybailey.com)



[1-800-821-6583](tel:1-800-821-6583)