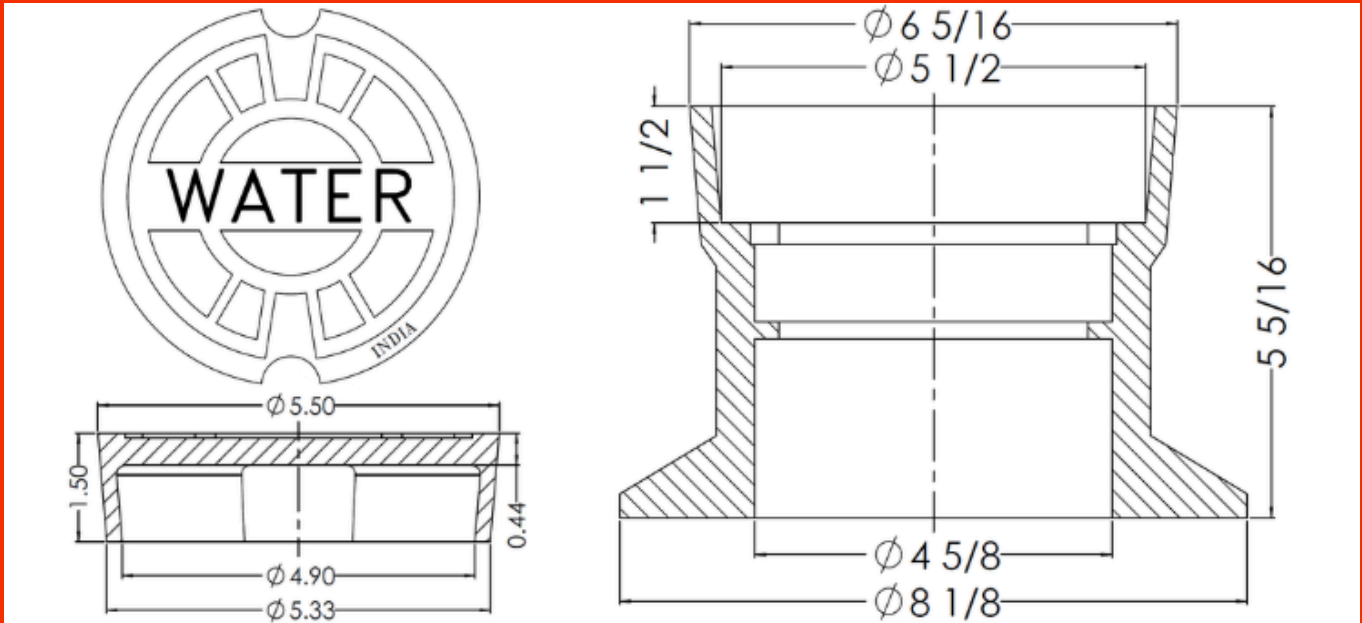




**CLAY & BAILEY**  
MANUFACTURING COMPANY

## 2197 VALVE BOX



### Features:

The 2197 Valve box is for use with a 4" SDR 21-35 and 4" Schedule 40 PVC.

Not for use for 4" Pipe with a cleanout assembly.

### Lid markings available include:

Water, Sewer, Air, Drain, and Gas.

They can also be etched with other markings at an additional fee.

The 01082-01-1000 2" riser is used with this valve box.

### Part Number Variations:

02197-01-1001 Domestic Lid M/ Water  
02197-01-1002 Domestic Lid M/ Sewer  
02197-01-1007 Domestic Lid M/ Drain  
02197-01-1011 Domestic Lid M/ Gas  
02197-01-1050 Domestic Ring

02197-01-6001 Foreign Lid M/ Water  
02197-01-6002 Foreign Lid M/ Sewer  
02197-01-6050 Foreign Ring

### Weights

Lid 4.5 Lbs.

Ring 9.5 Lbs.

### Material Spec:

ASTM A48, CLASS 35B, GRAY IRON

Revision Date: 3/13/26



[www.claybailey.com](http://www.claybailey.com)



[sales@claybailey.com](mailto:sales@claybailey.com)



1-800-821-6583