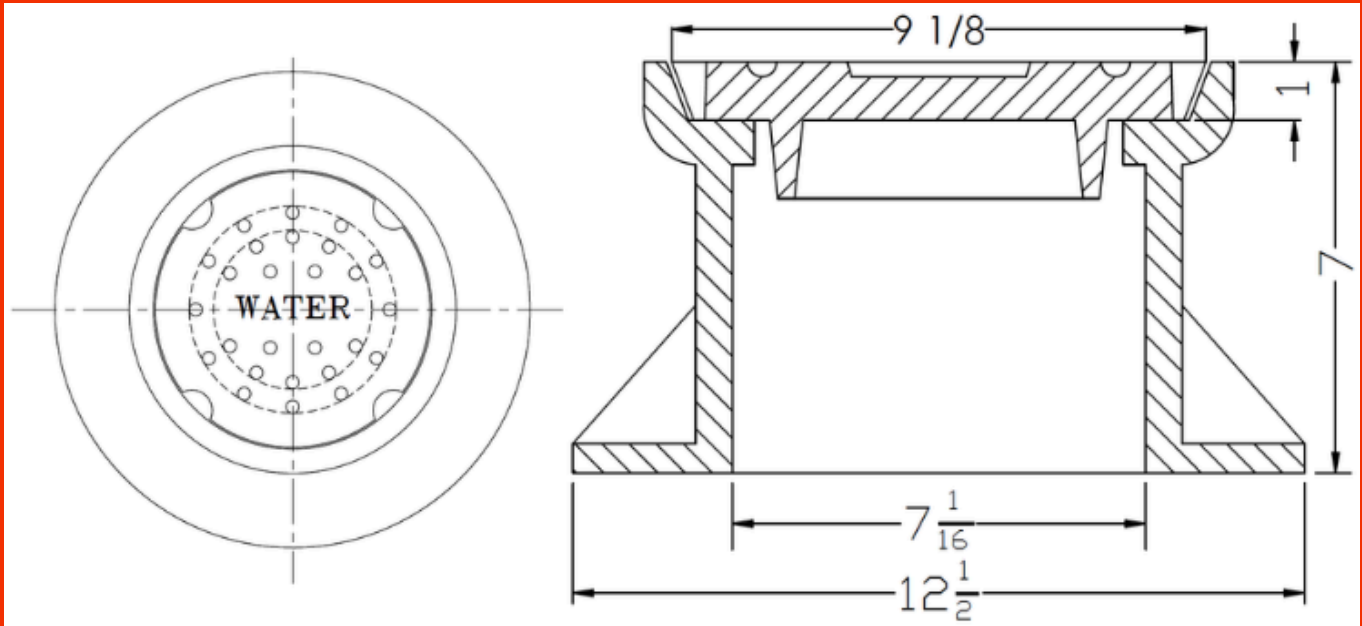




CLAY & BAILEY
MANUFACTURING COMPANY

2196 VALVE BOX



Features:

The 2196 Valve box is for use with 6" SDR 21-35, 6" Schedule 40 PVC, and 6" C900.

Not for use for 6" Pipe with a cleanout assembly.

Lid markings available include:

Water, Survey, Gas, Sewer, Drain, and KCMO Water w/ Logo.

They can also be etched with other markings at an additional fee.

These are available in both Foreign and Domestic.

The domestic AM HWY 3020 series risers are used with this valve box in sizes ranging from .75" – 2.75".

The foreign 3020 series risers are used with this valve box in 1.5" & 2".

Part Number Variations:

02193-01-1001 Domestic Lid M/ Water
02193-01-1003 Domestic Lid M/ Survey
02193-01-1021 Domestic Lid M/ Gas
02193-01-1051 Domestic Lid M/ Sewer
02193-01-1052 Domestic Plain Lid
02193-01-1071 Domestic Lid M/ Drain
02196-01-1050 Domestic Ring

02193-01-6001 Foreign Lid M/ Water
02193-01-6002 Foreign Lid M/ Sewer
02193-01-6061 Foreign Lid W/ KCMO Logo
02196-01-6052 Foreign Ring

Weights

Lid 23 Lbs.

Ring 27 Lbs.

Material Spec:

ASTM A48, CLASS 35B, GRAY IRON

Revision Date: 3/9/26



www.claybailey.com



sales@claybailey.com



1-800-821-6583