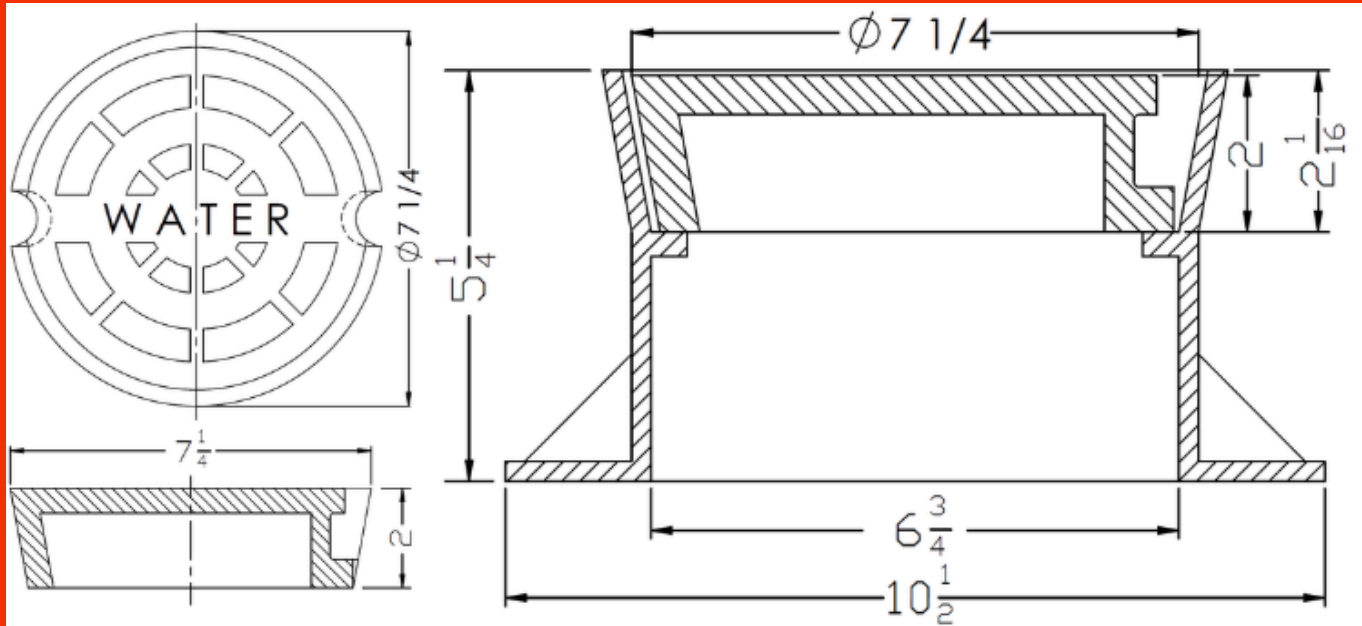




**CLAY & BAILEY**  
MANUFACTURING COMPANY

## 2194 VALVE BOX



### Features:

The 2194 Valve box is for use with a 6" SDR 21-35, 6" Schedule 40 PVC, and 6" C900.

Not for use for 6" Pipe with a cleanout assembly.

### Lid markings available include:

Water, Gas, Sewer, Drain, Cleanout, Lee's Summit Water, Survey, and Plain.

They can also be etched with other markings at an additional fee.

These are available in both Foreign and Domestic.

The EJ 8500 series domestic risers are used with this valve box in sizes ranging from 1" - 6".

The 1080 series foreign risers are used with this valve box in 1", 1.5" and 2".

### Part Number Variations:

02194-01-1001 Domestic Lid M/ Water  
02194-01-1002 Domestic Lid M/ Gas  
02194-01-1003 Domestic Lid M/ Sewer  
02194-01-1004 Domestic Lid M/ Drain  
02194-01-1009 Domestic Plain Lid  
02194-01-1011 Domestic Lid M/ Cleanout  
02194-01-1050 Domestic Ring  
02194-01-1051 Domestic Lid M/ Survey

02194-01-6001 Foreign Lid M/ Water  
02194-01-6002 Foreign Lid M/ Sewer  
02194-01-6003 Foreign Lid M/ Lee's  
Summit Water  
02194-01-6050 Foreign Ring

### Weights

Lid 6.5 Lbs.

Ring 14.5 Lbs.

### Material Spec:

ASTM A48, CLASS 35B, GRAY IRON

Revision Date: 3/9/26



[www.claybailey.com](http://www.claybailey.com)



[sales@claybailey.com](mailto:sales@claybailey.com)



1-800-821-6583