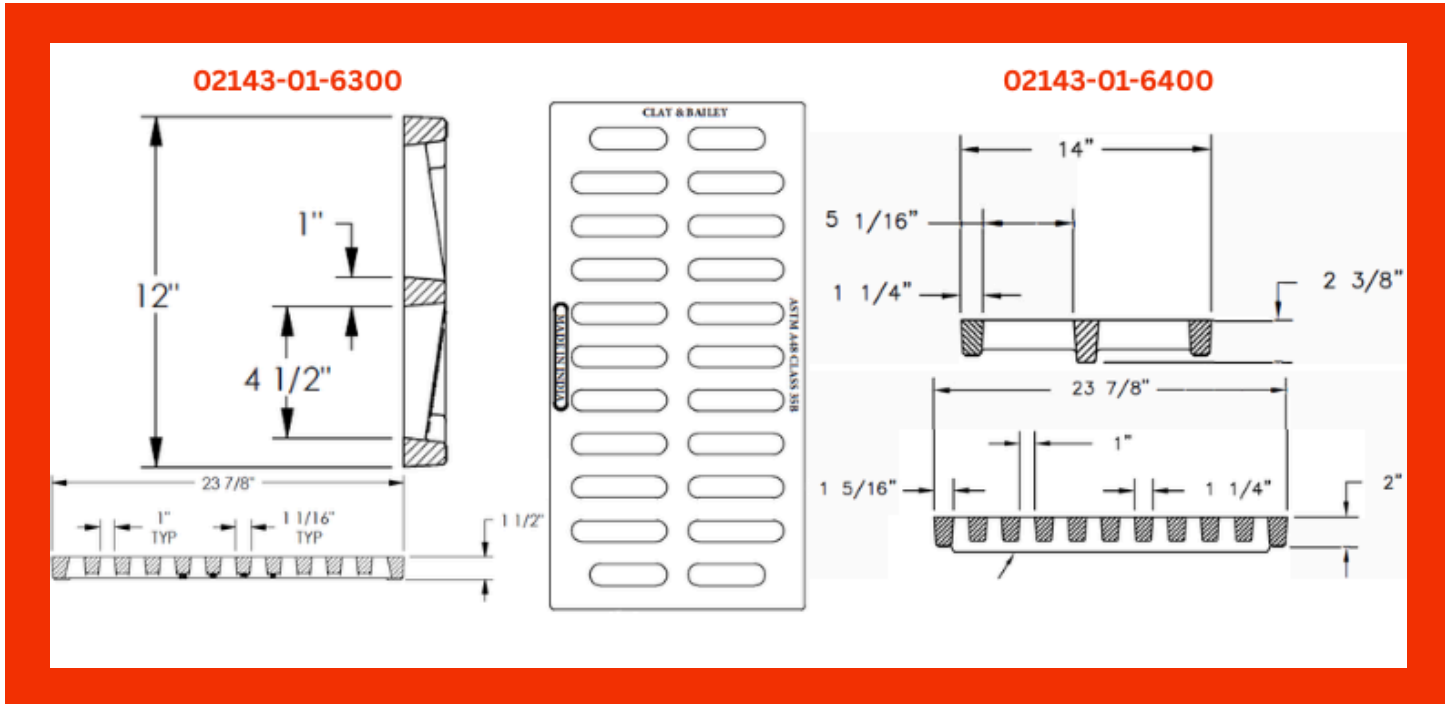




**CLAY & BAILEY**  
MANUFACTURING COMPANY

## 2143 TRENCH GRATES



**Features:**

The 2143 Trench Grates are for use in Trench Drains.

We have multiple sizes to fit your needs - See above for details.

These are commonly framed in with angle iron, however frame pieces can be quoted upon request.

Some sizes are available in both Foreign and Domestic, others are currently only available in Domestic but can be sourced if necessary.

**Part Number Variations:**

- EJ 00695341 Domestic 12x24" Grate
- EJ 00690440 Domestic 14x24" Grate
- EJ 00690540 Domestic 17x24" Grate

02143-01-4000 Domestic 20x24" Grate  
\*\*\*ONLY WHILE SUPPLIES LAST\*\*\*

02143-01-6300 Foreign 12x24" Grate  
02143-01-6400 Foreign 14x24" Grate

**Weights**

- 12x24" 60 Lbs.
- 14x24" 110 Lbs.
- 17x24" 125 Lbs.
- 20x24" 170 Lbs.

Material Spec:

ASTM A48, CLASS 35B, GRAY IRON

Revision Date: 3/20/26



[www.claybailey.com](http://www.claybailey.com)



[sales@claybailey.com](mailto:sales@claybailey.com)



1-800-821-6583