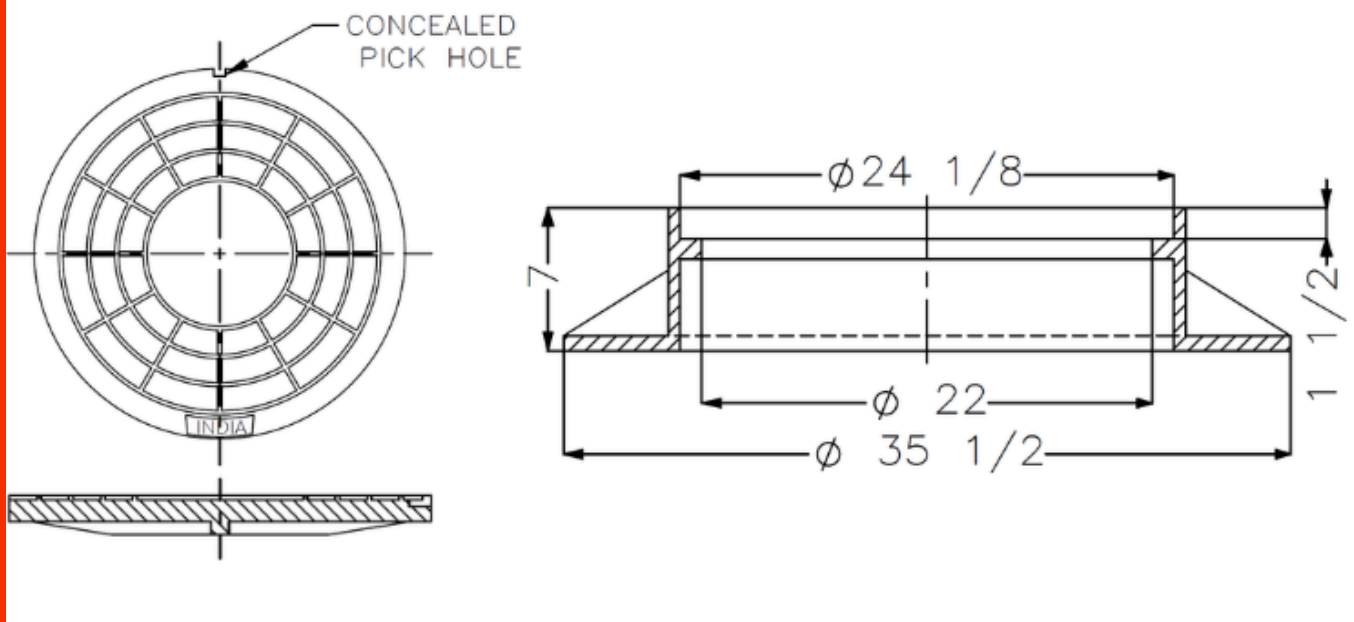




CLAY & BAILEY
MANUFACTURING COMPANY

2033 MANHOLE COVER



Features:

The 2033 heavy duty Manhole Lid & Ring are used in Columbia, Missouri.

We currently only stock Foreign castings.

The AM HWY 2007 series domestic steel risers are used with these lids in sizes ranging from 3/4" - 3". These are available in Solid or Adjustable risers.

The 3100 series foreign cast iron risers are used with this lid in 2". These are available in solid only with Set Screws.

Part Number Variations:

02033-01-6001 Foreign Plain Lid

02033-01-6050 Foreign Ring

Weights

Lid 145 Lbs.

Ring 201 Lbs.

Material Spec:

ASTM A48, CLASS 35B, GRAY IRON

Revision Date: 3/17/26



www.claybailey.com



sales@claybailey.com



1-800-821-6583