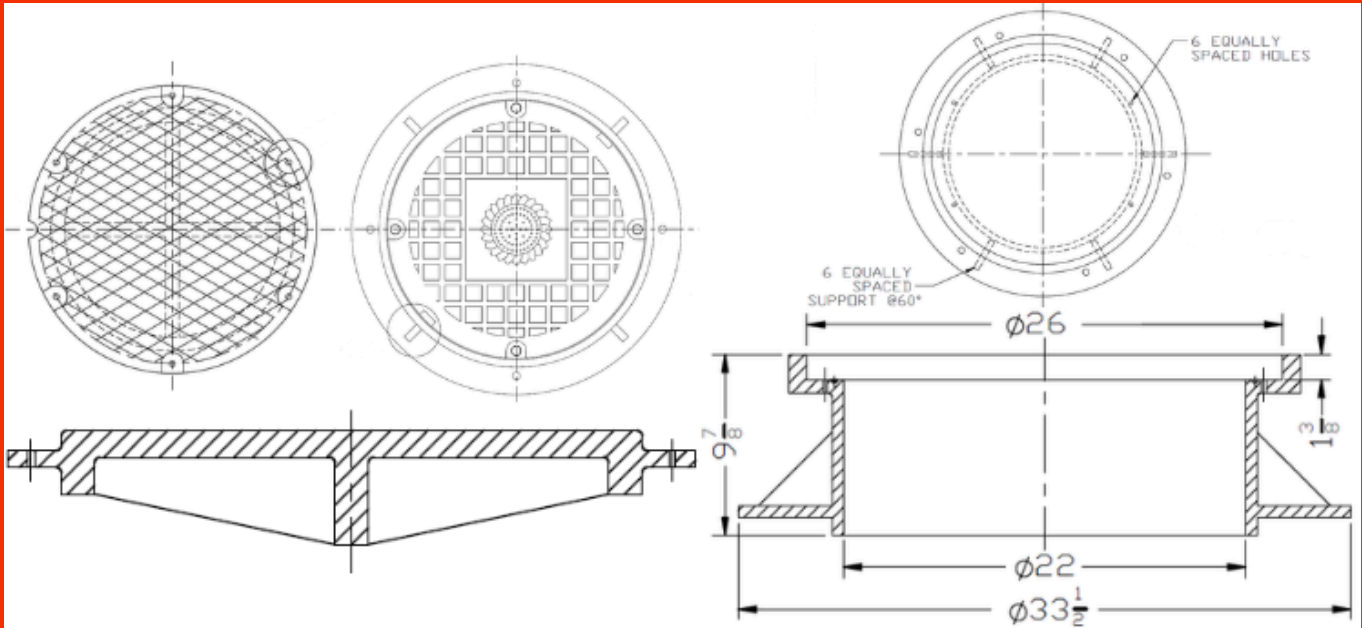




2014 BOLT DOWN MANHOLE COVER



Features:

The 2014 heavy duty bolt down Manhole Cover is equipped with an O-ring to provide a watertight or airtight seal.

We currently only stock Foreign castings.

The AM HWY 2014 series domestic steel risers are used with this lid in sizes ranging from 1.5" - 2". These are available in Solid or Adjustable risers.

The bolt down function no longer works if risers are used with these lids.

These castings are only sold in sets. Lids and rings are not available for purchase separately.

Part Number Variations:

02014-01-6000 Foreign Bolt Down Ring & Lid
02014-01-6900 Foreign Bolt Down Ring & Sunflower Lid

Weights

Lid 185 Lbs.
Ring 250 Lbs.

Material Spec:

ASTM A48, CLASS 35B, GRAY IRON

Revision Date: 3/16/26



www.claybailey.com



sales@claybailey.com



1-800-821-6583