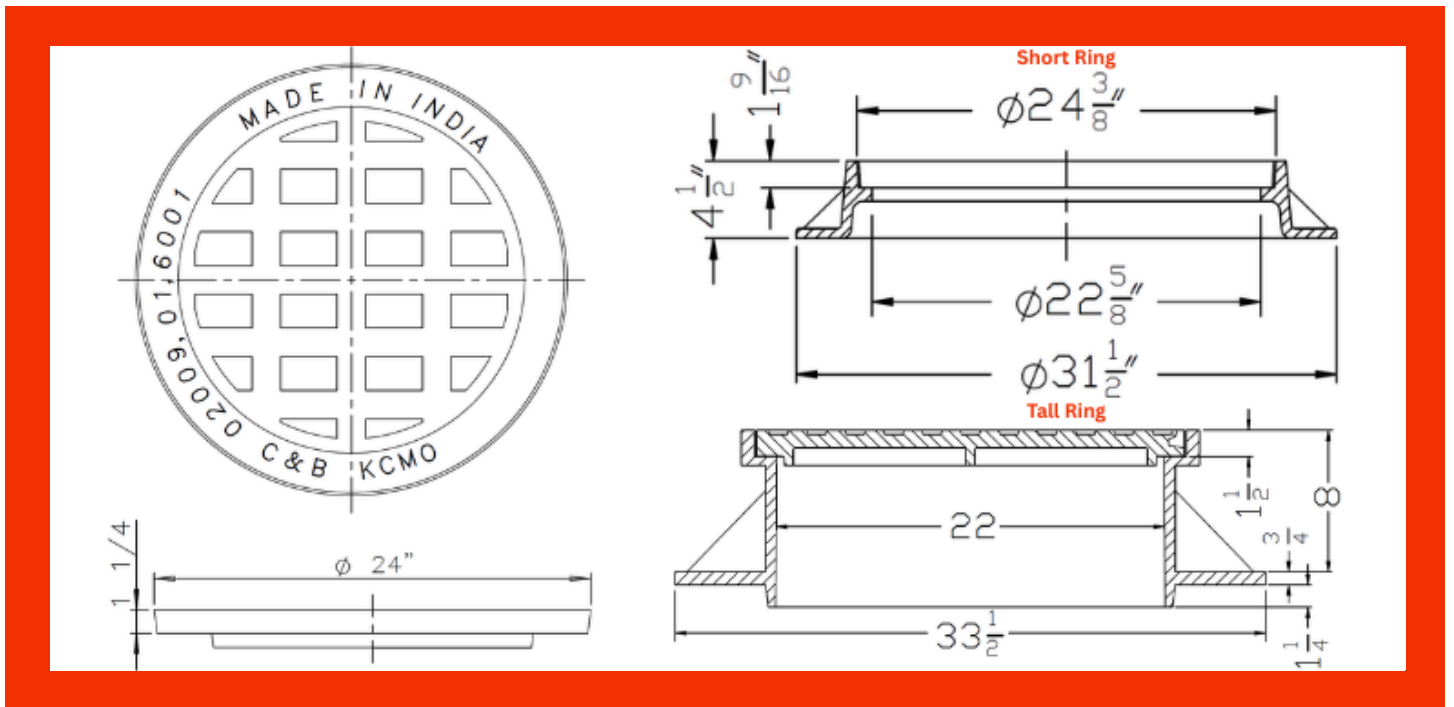




2009 GRATE W/ TALL OR SHORT RING



Features:

The 2009 heavy duty Grate allows for ventilation, debris control, and access to underground utilities.

The 2009 Grate fits with both the 2001 Short Ring & the 2007 Tall Ring.

These are available in both Foreign and Domestic.

The AM HWY 2007 series domestic steel risers are used with this grate in sizes ranging from .75" – 3". These are available in Solid or Adjustable risers.

The 3100 series foreign cast iron risers are used with this grate in 2".

These are available in solid only with Set Screws.

Part Number Variations:

EJ 00112030 Domestic Grate
EJ 00150011 Domestic 2001 Short Ring
EJ 00150215 Domestic 2007 Tall Ring

02009-01-6001 Foreign Grate
02001-01-6051 Foreign Short Ring
02007-01-6050 Foreign Tall Ring

Weights

Grate 120 Lbs.
Short Ring 115 Lbs.
Tall Ring 220 Lbs.

Material Spec:

ASTM A48, CLASS 35B, GRAY IRON

Revision Date: 3/17/26



www.claybailey.com



sales@claybailey.com



1-800-821-6583