
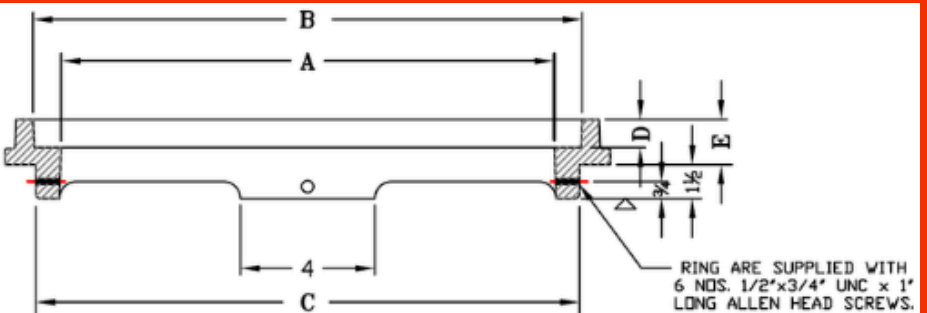




AM HWY 2008 / 3101 MANHOLE RISERS

A	B	C	D	E
22	23½	23¼	1¼	2
22	23½	23¼	1¼	2½
22	23½	23¼	1¼	3
22	23½	23¼	1¼	3½

Features:

The AM HWY 2008 Domestic Steel Manhole Risers and the 3101 Series Foreign Cast Iron Risers fit manhole lids with an Outside Diameter of 23.25" and a Lid Seat that measures 1.25".

The AM HWY 2008 Series is available in sizes ranging from .75" – 3".

These are available in Solid or Adjustable risers. These are available with or without Set Screws

The 3101 Series is available in 2" only. These are available in solid only. These only come with Set Screws.

Contact sales@claybailey.com for information on non-stock sizes.

Part Number Variations:

- AM HWY 2008 1.5" Domestic Adjustable Riser
- AM HWY 2008 1.5 S, SS 1.5" Domestic Solid Riser w/ Set Screws
- AM HWY 2008 1.5 SOLID 1.5" Domestic Solid Riser
- AM HWY 2008 2S SS 2" Domestic Solid Riser w/ Set Screws
- AM HWY 2008-.75S .75" Domestic Solid Riser
- AM HWY 2008-1 1" Domestic Adjustable Riser
- AM HWY 2008-1.25 1.25" Domestic Adjustable Riser
- AM HWY 2008-1.25S 1.25" Domestic Adjustable Riser
- AM HWY 2008-1S 1" Domestic Solid Riser
- AM HWY 2008-2 2" Domestic Adjustable Riser
- AM HWY 2008-2.5S 2.5" Domestic Solid Riser
- AM HWY 2008-2S 2" Domestic Solid Riser
- AM HWY 2008-3S 3" Domestic Solid Riser
- 03101-01-6200 2" Foreign Solid Riser w/ Set Screws

Revision Date: 3/17/26