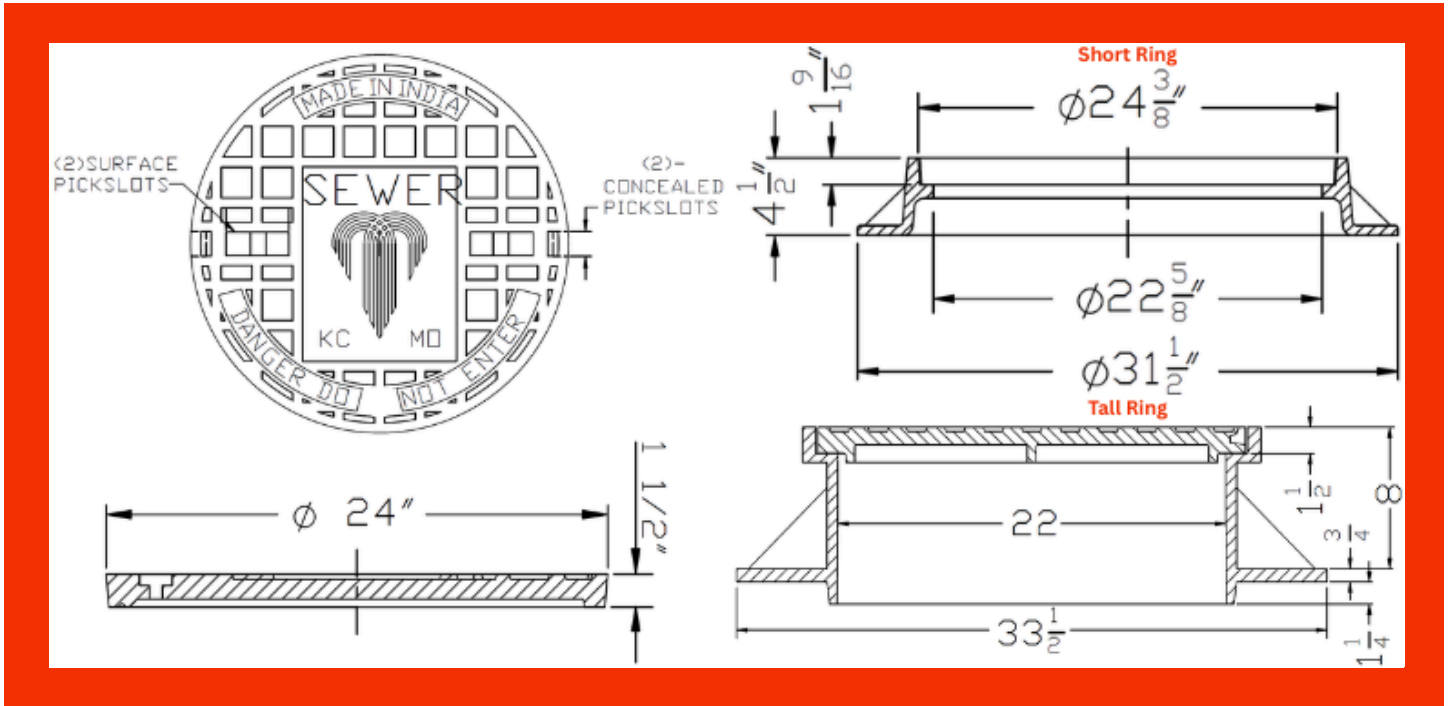




CLAY & BAILEY
MANUFACTURING COMPANY

2000 KCMO MANHOLE COVER



Features:

The 2000 heavy duty KCMO Manhole Lid fits with both the 2001 Short Ring & the 2007 Tall Ring.

These are available in both Foreign and Domestic.

The AM HWY 2007 series domestic steel risers are used with this lid in sizes ranging from .75" - 3". These are available in Solid or Adjustable risers.

The 3100 series foreign cast iron risers are used with this lid in 2".

These are available in solid only with Set Screws.

Part Number Variations:

EJ 00150011 Domestic 2001 Short Ring
EJ 00150215 Domestic 2007 Tall Ring

02000-01-6801 Foreign KCMO Sewer Lid w/o Camlocks

02001-01-6051 Foreign Short Ring

02007-01-6050 Foreign Tall Ring

Weights

Lid 133 Lbs.
Short Ring 115 Lbs.
Tall Ring 220 Lbs.

Material Spec:

ASTM A48, CLASS 35B, GRAY IRON

Revision Date: 3/17/26



www.claybailey.com



sales@claybailey.com



1-800-821-6583