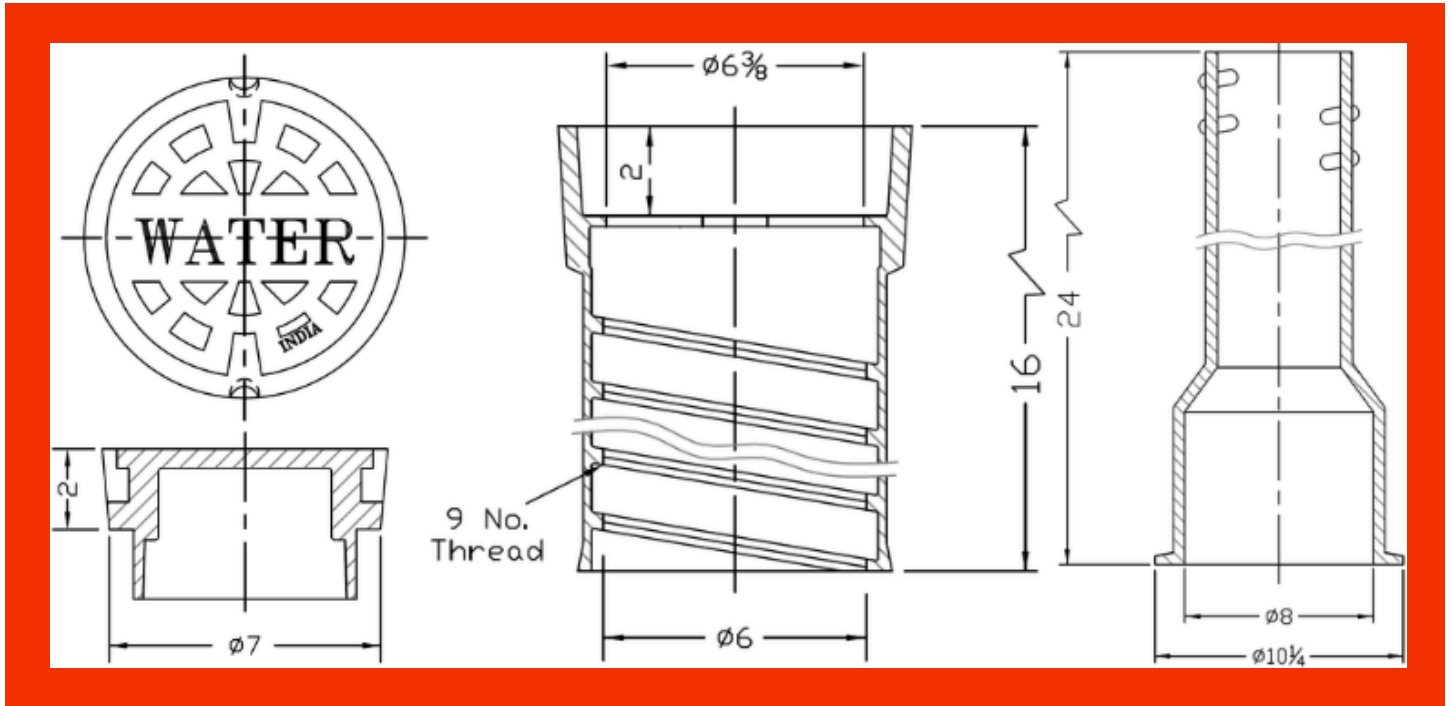




CLAY & BAILEY
MANUFACTURING COMPANY

1108 SCREW TYPE VALVE BOX



Features:

The 1108 Screw Type 562S Valve Box Features a Lid marked WATER, a 16" Top Section, and a 24" Bottom Section.

The screw fitting allows these to be adjustable in height.

These are available in both Foreign and Domestic.

The EJ 8500 series domestic risers are used with this valve box in sizes ranging from 1" - 6".

The 1080 series foreign risers are used with this valve box in 1", 1.5" and 2".

Part Number Variations:

EJ 06800001 Domestic Lid m/ WATER
EJ 85507016 Domestic 16" Top Section
EJ 85506024 Domestic 24" Bottom Section

01108-01-6001 Foreign Lid m/ WATER
01108-01-6160LW Foreign 16" Top Section
01108-01-6124 Foreign 24" Bottom Section

Weights

Lid 9 Lbs.

16" Top 23 Lbs.

24" Bottom 30 Lbs.

Material Spec:

ASTM A48, CLASS 35B, GRAY IRON

Revision Date: 3/16/26



www.claybailey.com



sales@claybailey.com



1-800-821-6583