

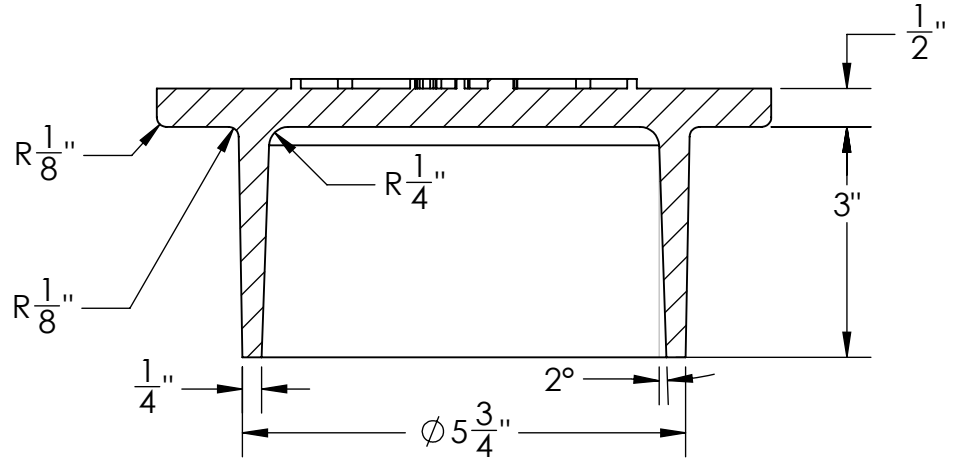
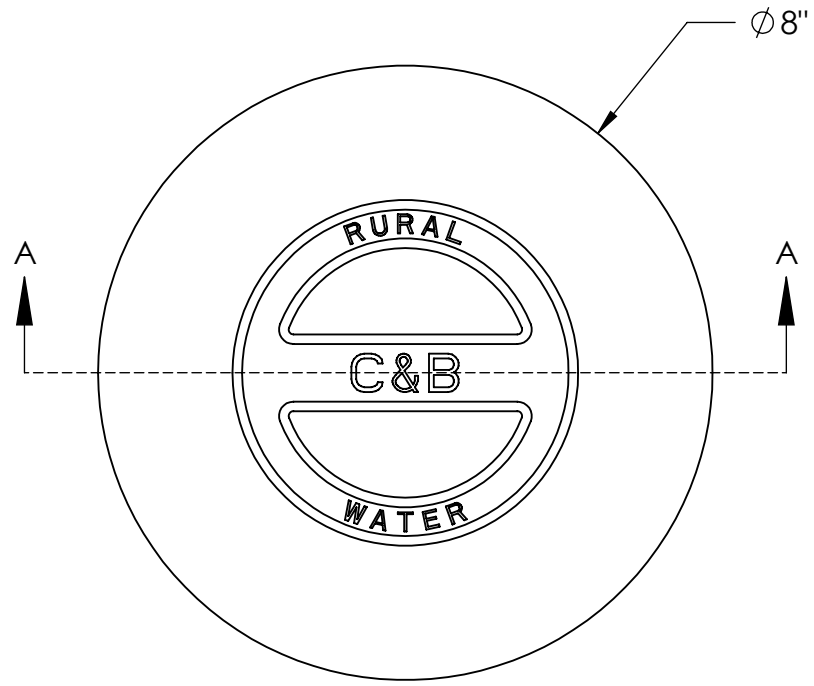
2

1

REVISIONS			
REV.	DESCRIPTION	DATE	APPROVED
A	INITIAL DRAWING	1/20/2021	

B

B



SECTION A-A

A

A

UNLESS OTHERWISE SPECIFIED:
 DIMENSIONS ARE IN INCHES
 TOLERANCES:
 .X +/- 0.100
 .XX +/- 0.030
 .XXX +/- 0.010
 .XXXX +/- .0005
 ANGLES +/- 0.5

CLAY & BAILEY MFG. CO.

THIS DRAWING AND CONCEPTS DISCLOSED THEREON BELONG EXCLUSIVELY TO CLAY & BAILEY WHOSE PROPRIETARY RIGHTS THEREIN SHALL NOT BE APPROPRIATED IN WHOLE OR IN PART WITHOUT WRITTEN CONSENT.

TITLE: **6" MUSHROOM COVER (RURAL WATER)**

APPROVALS	DATE
DRAWN: KH	1/20/2021
CHECKED: AAA	DATE
APPROVED: AAA	DATE

DWG. NO.: **02615-01-6600**

SIZE: **A**
 SCALE: **1:4**

MATERIAL: **CLASS 30 IRON**



REV:

SHEET 1 OF 1

2

1