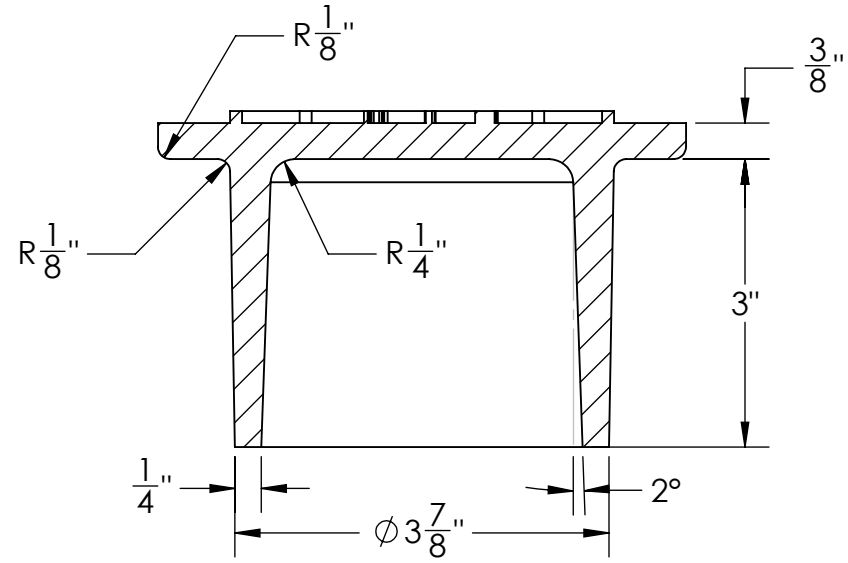
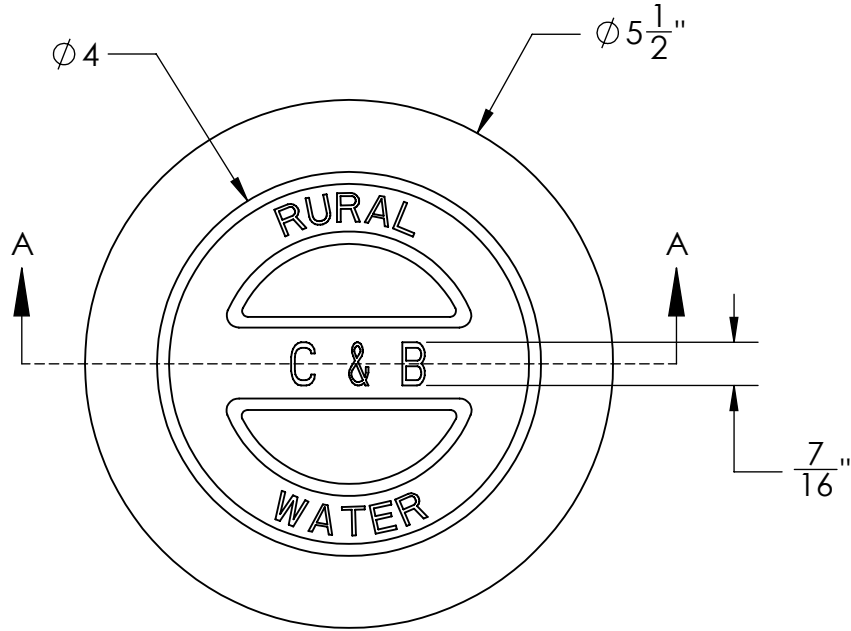


2

1

REVISIONS			
REV.	DESCRIPTION	DATE	APPROVED
A	INITIAL DRAWING	1/20/2021	



SECTION A-A

NOTES:

1. TOLERANCES $\pm 1/16$ & $\pm 0.5^\circ$
2. FOR USE WITH 4" CL160 OR CL200 PVC PIPE AS VALVE BOX
3. LETTERING IS SAME SIZE AS STANDARD LETTERING
4. MATERIAL: ASTM A48 CLASS 35B

UNLESS OTHERWISE SPECIFIED:

DIMENSIONS ARE IN INCHES

TOLERANCES:

.X ± 0.100 .XX ± 0.030 .XXX ± 0.010 .XXXX ± 0.0005 ANGLES ± 0.5

APPROVALS

DATE

DRAWN:

KH

1/20/2021

CHECKED:

BB

1/6/2023

APPROVED:

BB

1/6/2023

MATERIAL: GRAY IRON

CLAY & BAILEY MFG. CO.

THIS DRAWING AND CONCEPTS DISCLOSED THEREON BELONG EXCLUSIVELY TO CLAY & BAILEY WHOSE PROPRIETARY RIGHTS THEREIN SHALL NOT BE APPROPRIATED IN WHOLE OR IN PART WITHOUT WRITTEN CONSENT.

TITLE: 4" CI DROP IN VALVE BOX LID
(RURAL WATER)

DWG. NO.:

02615-01-6400

SIZE: A

SCALE: 1:2

THIRD ANGLE
PROJECTION

REV:

SHEET 1 OF 1

2

1