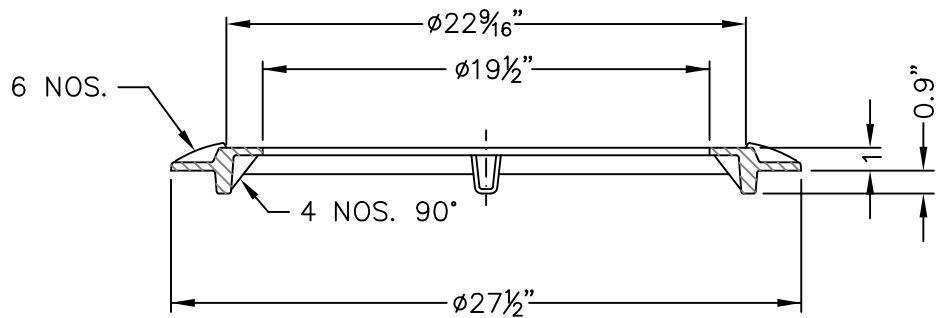


PLAN



SECTION-XX

0	DRAWING CREATED	05.05.25	PB	BNA
R.#	REVISION	DATE	R.BY	APPR

R. B. AGARWALLA & Co.
 2/6, SARAT BOSE ROAD, CALCUTTA - 20, INDIA

24" MBOX PIT ADJUSTING
 ADAPTOR RING
 (02425-01-62024)

DRAWN BY: -	SARIFUL	DATE: -	05.05.25
APPROVED BY: -	BNA	DRG.NO.: -	N3179-24-CB

DIMENSION: - All are in inches	MARKING: - It will be casted as required.	MATERIAL: -ASTM A48 CLASS 35B
FINISH: - Coating will be black bituminous paint	MACHINING: - Not required.	