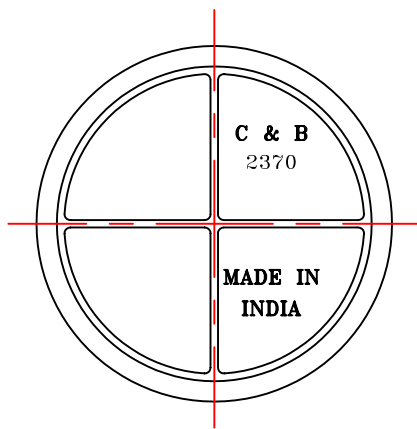
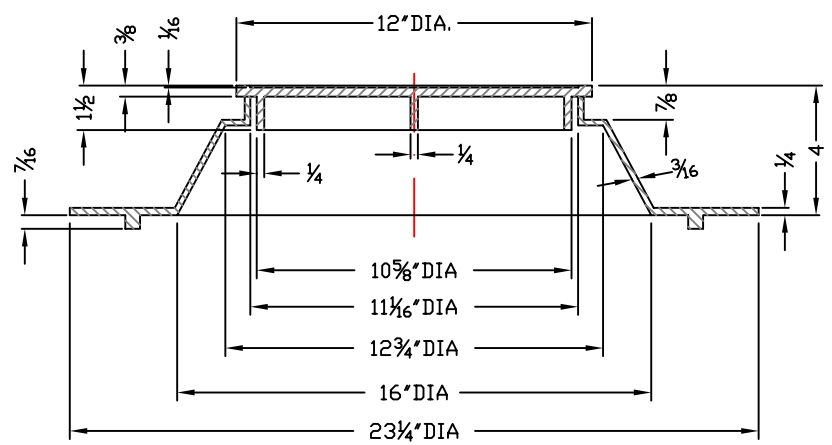


PLAN



BOTTOM VIEW OF LID



RV.NO	REVISION	DATE	RV. BY.	APPR.

**R. B. AGARWALLA & Co.**

2/6, SARAT BOSE ROAD, CALCUTTA-20, INDIA

TITLE: 2370-01-6000  
METER WELL RING & LID

DRAWN BY :- P.BHOWMIK	DATE :- 4.7.95
APPROVED BY :-	DRG. NO.:- <b>N3823</b>

DIMENSION:- All are in inches	MARKING:- It will be casted as required.	MATERIAL:- ASTM A48 Class 30.
FINISH:- Coating will be black bituminous paint	MACHINING:- All seating surface will be machined.	