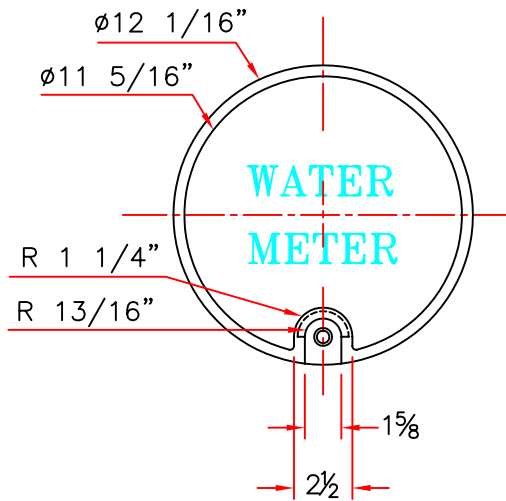
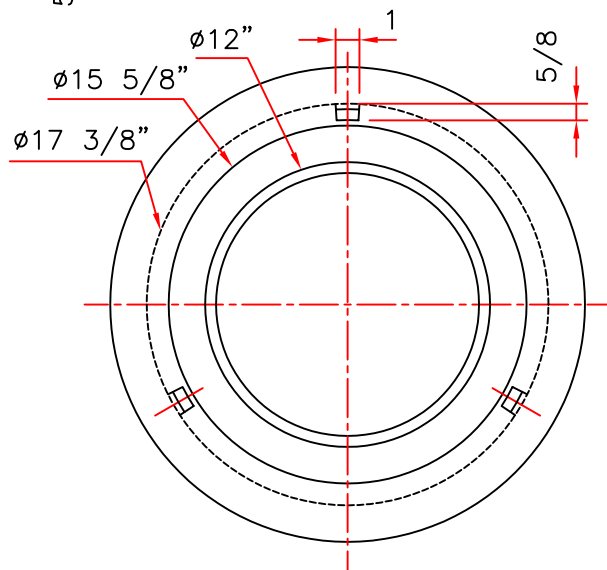
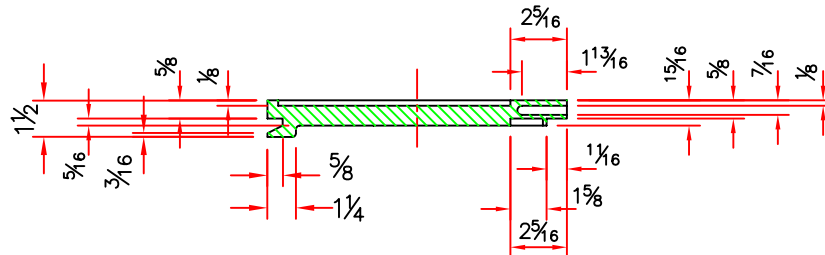
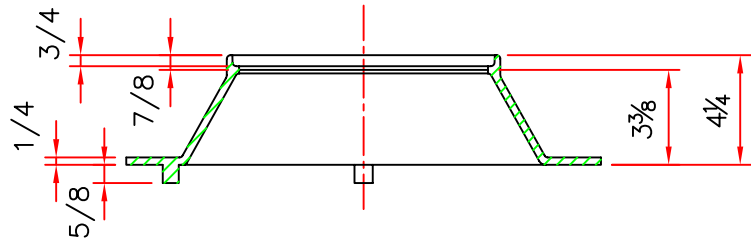


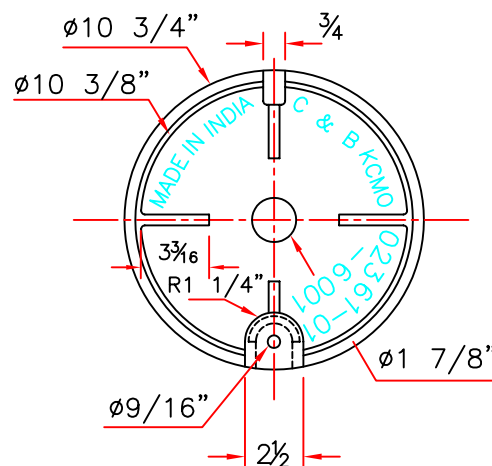
**TOP VIEW OF FRAME**



**TOP VIEW OF COVER**



**BOTTOM VIEW OF FRAME**



**TOP VIEW OF COVER**

**NOTES:-**

1. DIMENSION - ALL ARE IN INCHES.
2. FINISH - COATING WILL BE BLACK BITUMINOUS PAINT.
3. MATERIAL - ASTM A 48 CLASS 30B.
4. MARKING - IT WILL BE CASTED AS REQUIRED.

R.#	REVISION-	DATE	R.BY	APR.
R. B. AGARWALLA & CO.				
2/6 SARAT BOSE ROAD, KOLKATA-20 INDIA				
TITLE- # 2361 METER				
FRAME & COVER				
W/1 AMR HOLE				
DRAWN BY	P.BHOWMIK	DATE 07/04/03		
CHECK BY		PAT NO.		
APPROVED BY		N3842		