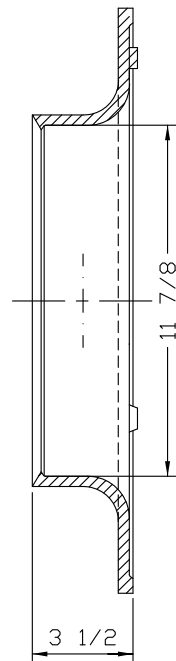
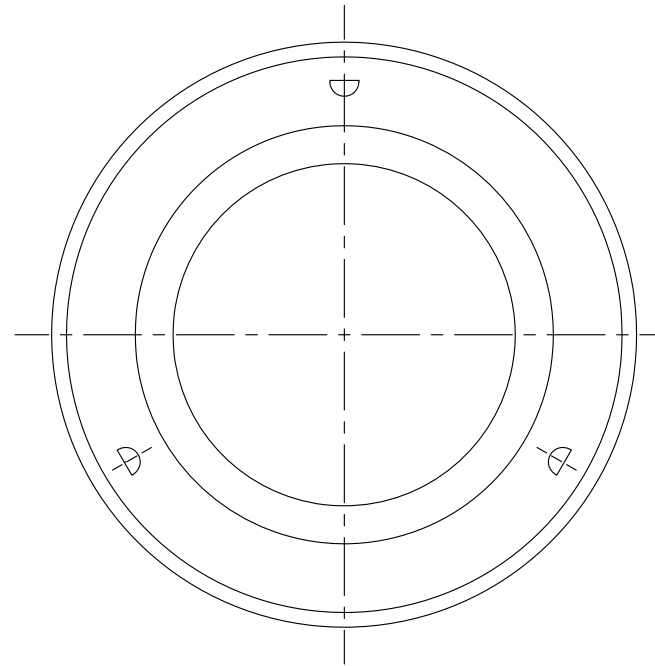


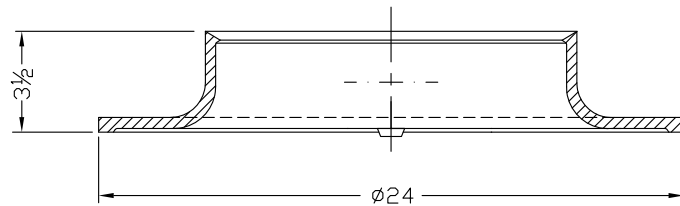
TOP OF RING



SECTION



BOTTOM OF RING



SECTION

1	DRAWING REVIEW	16.10.19	SS	BNA
R.#	REVISION	DATE	R.BY	APPR.
R. B. AGARWALLA & Co.				
2/6, SARAT BOSE ROAD, CALCUTTA-20, INDIA				

TITLE:- 2355-01-1050 METER RING				
DRAWN BY :- P.BHOWMIK		DATE :- 31.03.08		
CHECK BY:- BNA		PAT. NO.:- N3849F		
APPROVED BY :- BNA				

DIMENSION:- All are in inches	MARKING:- It will be casted as required.	MATERIAL:- ASTM A48 Class 35B.
FINISH:- Coating will be black bituminous paint		