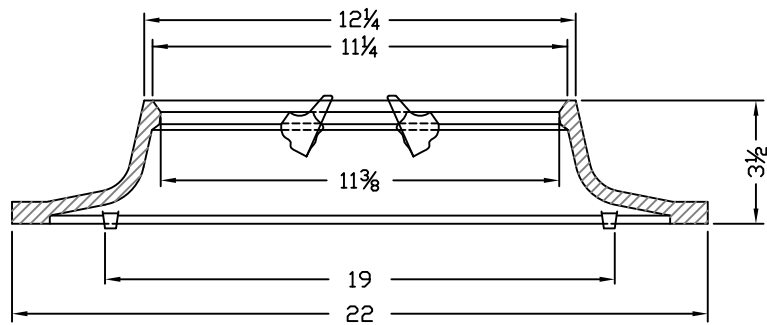


PLAN (FRAME)



FRAME SECTION

R.#	REVISION	DATE	R.BY	APPR.
R. B. AGARWALLA & Co.				
2/6, SARAT BOSE ROAD, CALCUTTA - 20, INDIA				
TITLE:-		2350-01-6050 FRAME ONLY		
DRAWN BY:- P.BHOWMIK		DATE:- 06.01.18		
APPROVED BY:-		DRG.NO.:-		
BNA		N3121AF		

DIMENSION:- All are in inches	MARKING:- Marking shall be casted as per requirement.	MATERIAL:- ASTM A48 CLASS 35B
FINISH:- Coating will be black bituminous paint	MACHINING:- Not Required.	