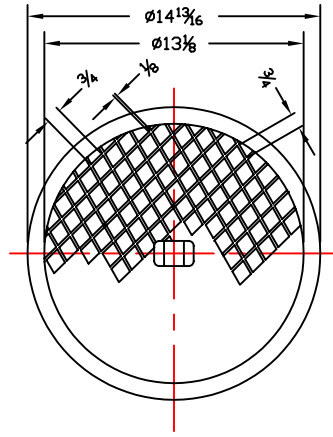
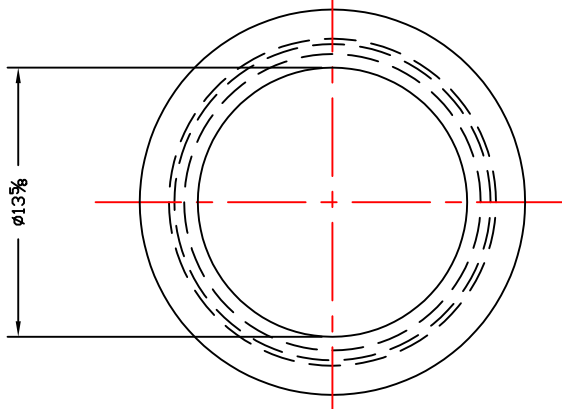
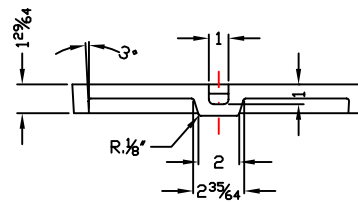
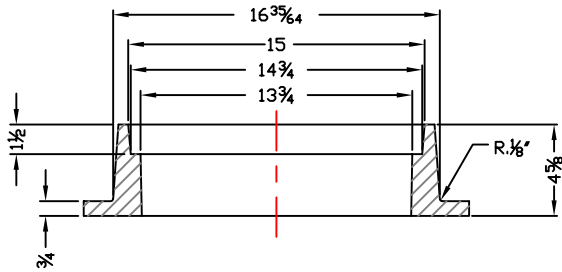


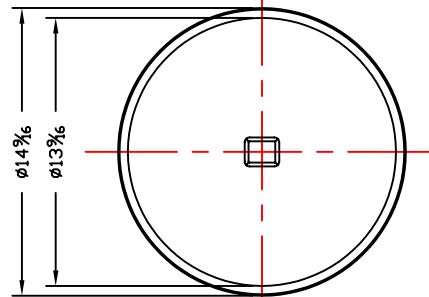
TOP VIEW (Frame)



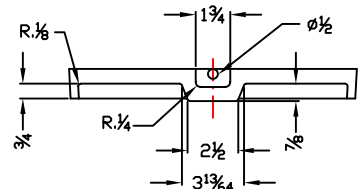
TOP VIEW (Cover)



BOTTOM VIEW (Frame)



BOTTOM VIEW (Cover)



RV.NO	REVISION	DATE	RV. BY	APPR.

R. B. AGARWALLA & Co.

2/6, SARAT BOSE ROAD, CALCUTTA-20, INDIA

TITLE: 2239-01-6000
METER RING & COVER

DRAWN BY :- P.BHOWMIK DATE :- 2.7.98

APPROVED BY :- DRG. NO.:- **N3832**

DIMENSION:- All are in inches	MARKING:- It will be casted as required.	MATERIAL:- ASTM A48 Class 30.
FINISH:- Coating will be black bituminous paint	MACHINING:- Not Required.	