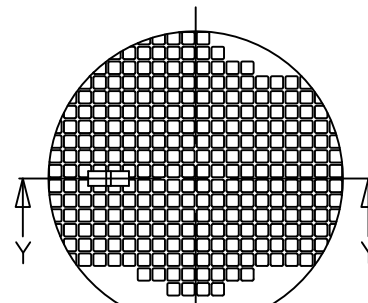
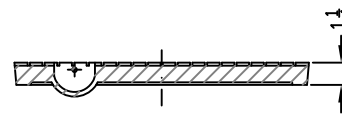


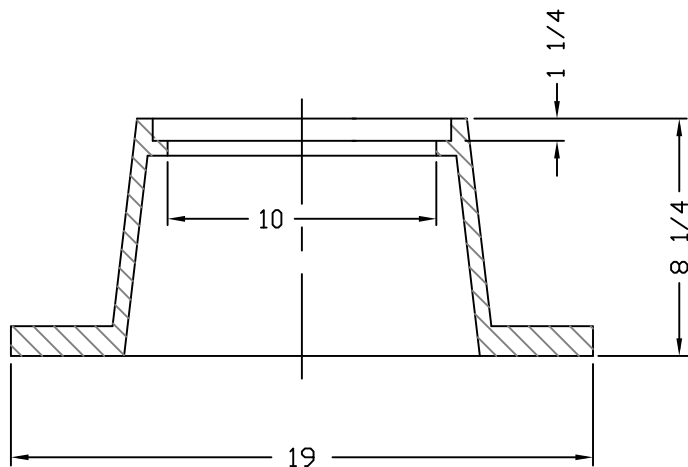
PLAN (Frame)



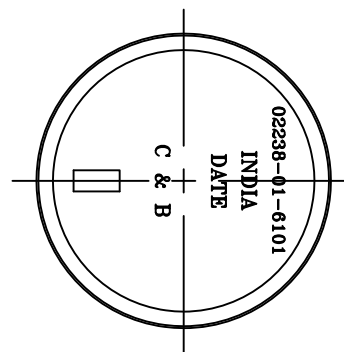
TOP OF COVER



SECTION-YY.



SECTION-XX.



BOTTOM OF COVER

R.#	REVISION	DATE	R.BY	APPR.
5.	Ring Dim.changed 11 1/4" to 11 5/16"	18.7.07	PB	BNA
4.	LID ADD. & RING DIM. CHANGED	30.8.06	PB	BNA
3.	LID DELETE	07.4.05	PB	BNA
2.	DIM. CHANGE	26.2.01	PB	BNA
1.	DIM. & DRG. CHANGE	15.3.00	PB	BNA

R. B. AGARWALLA & Co.

2/6, SARAT BOSE ROAD, CALCUTTA-20, INDIA

TITLE: LAMP POLE RING & LID
CLASS-35

DRAWN BY :- P.BHOWMIK DATE :- 18.9.96

APPROVED BY :- BNA DRG. NO.:- **N3830-35**

DIMENSION:- All are in inches	MARKING:- It will be casted as required.	MATERIAL:- ASTM A48 Class 35.
FINISH:- Coating will be black bituminous paint	MACHINING:- All bearing surfaces shall be machined.	