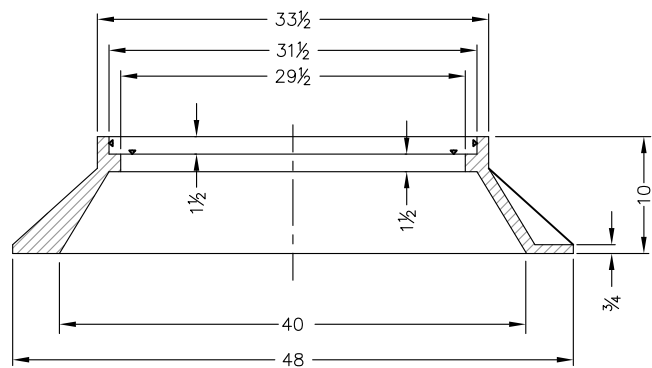
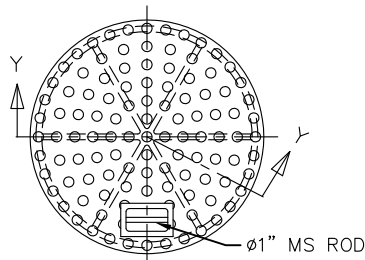


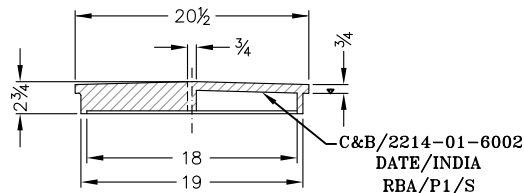
**OUTER FRAME**



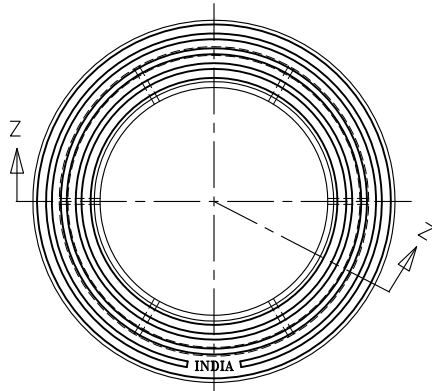
**SECTION-XX OF OUTER RING**



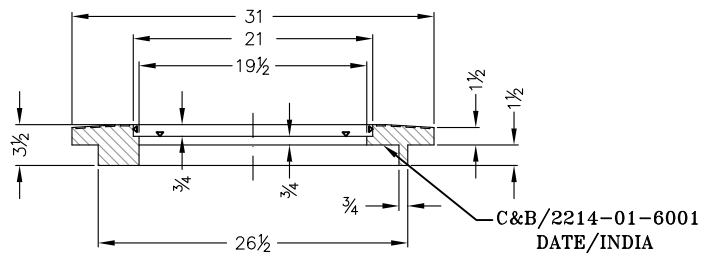
**INNER COVER**



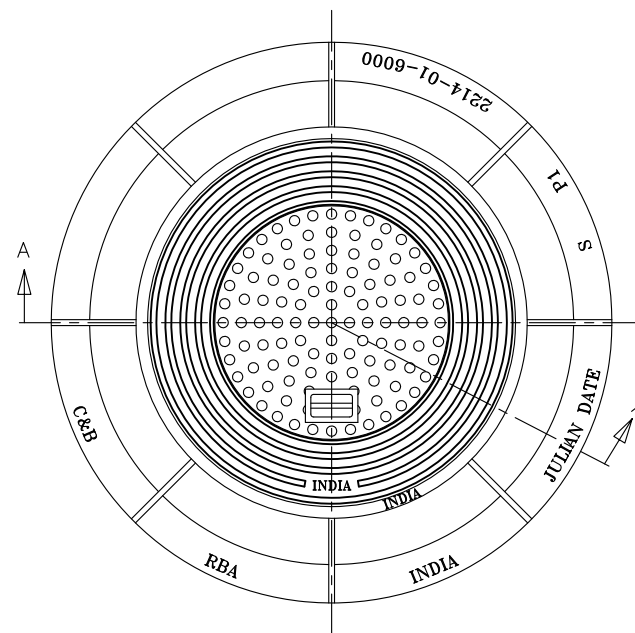
**SECTION-YY OF INNER COVER**



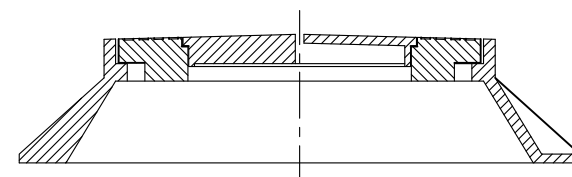
**OUTER COVER**



**SECTION-ZZ OF OUTER COVER**



**SECTION-AA OF FRAME AND COVERS**



0	DRAWING UPDATED	27.05.25	PB	BNA
R.#	REVISION	DATE	R.BY	APPR.

**R.B.AGARWALLA & CO.**

2/6, SARAT BOSE ROAD, CALCUTTA-20, INDIA

TITLE: **C & B 2214**  
**C.I. METER BOX TYPE 'C' RING & COVERS**

DRAWN BY :- P.BHOWMIK DATE :- 16.12.86

APPROVED BY :- BNA DRG. NO.:- **N2118**

DIMENSION:- All are in inches

MARKING:- Lettering for specification shall be cast on top of the cover as per requirement.

MATERIAL:- ASTM A48  
Class 30.

FINISH:- Coating shall be with black bituminous paint.

MACHINING:-All seating surface will be machined.