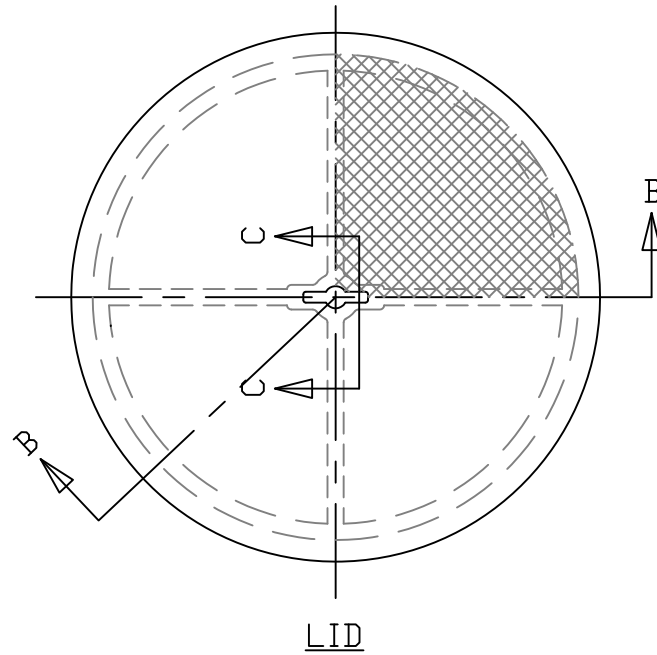
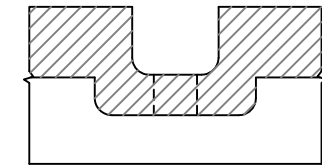


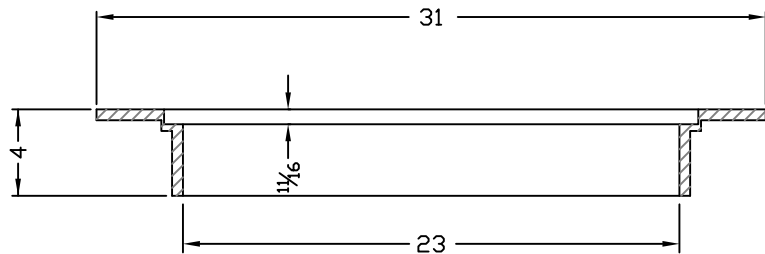
PLAN OF COVER



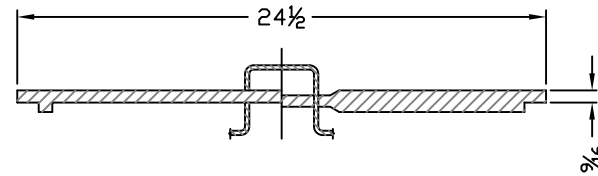
LID



SECTION-C-C



SECTION-X-X



SECTION-B-B

RV.NO	REVISION	DATE	RV. BY.	APPR.

R. B. AGARWALLA & Co.

2/6, SARAT BOSE ROAD, CALCUTTA-20, INDIA

TITLE: C.I. 24 METER BOX
COVER & LID (W-2300)

DRAWN BY :- P.BHOWMIK DATE :- 13.12.86

APPROVED BY :- BNA DRG. NO.:- N3811

DIMENSION:- All are in inches	MARKING:- Lettering for specification will be cast on top of the cover as per requirement.	MATERIAL:- ASTM A48 Class 30.
FINISH:- Coating will be black bituminous paint	MACHINING:- All seating surface will be machined.	