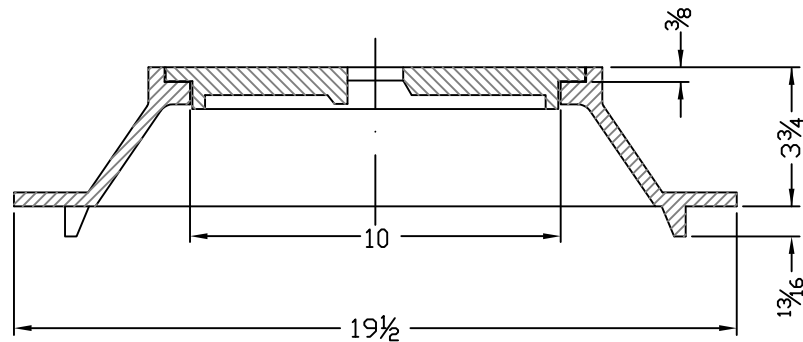
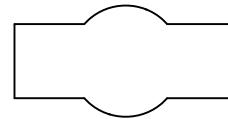


PLAN

Add lid OD 11 1/2"



SECTION-X-X



DETAIL OF PICKHOLE

RV.NO	REVISION	DATE	RV. BY.	APPR.

**R. B. AGARWALLA & Co.**

2/6, SARAT BOSE ROAD, CALCUTTA-20, INDIA

TITLE: 2212-01-6000 RAY TOWN/MO.  
WATER METER RING AND LID.

DRAWN BY :- P.BHOWMIK DATE :- 20.4.95

APPROVED BY :- BNA DRG. NO.:- N3822

DIMENSION:- All are in inches	MARKING:- It will be casted as required.	MATERIAL:- ASTM A48 Class 30.
FINISH:- Coating will be black bituminous paint	MACHINING:- All seating surface will be machined.	