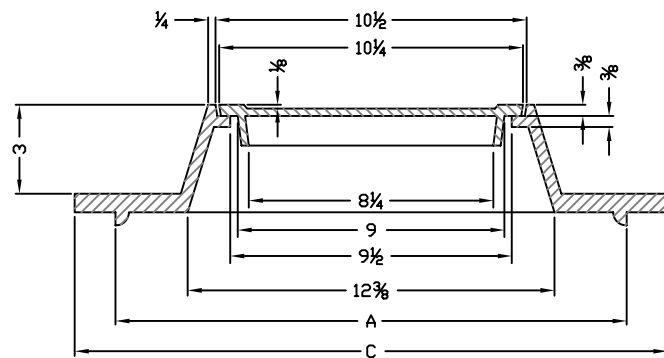


PLAN



SECTION-X-X

| PAT.NO. | BOX SIZE | A | C |
|---------|----------|--------|----|
| N3821A | 15 | 14 1/4 | 17 |
| N3821B | 18 | 17 1/4 | 20 |

| RV.NO | REVISION | DATE | RV. BY. | APPR. |
|-------|----------|------|---------|-------|
| | | | | |
| | | | | |
| | | | | |

R. B. AGARWALLA & Co.

2/6, SARAT BOSE ROAD, CALCUTTA-20, INDIA

TITLE: 2203-01-6000 WIN WATER METER BOX RING AND LID.

DRAWN BY :- P.BHOWMIK DATE :- 14.3.01

APPROVED BY :- DRG. NO.:- **N3821**

| | | |
|---|--|-------------------------------|
| DIMENSION:- All are in inches | MARKING:- It will be casted as required. | MATERIAL:- ASTM A48 Class 30. |
| FINISH:- Coating will be black bituminous paint | MACHINING:- Not required. | |