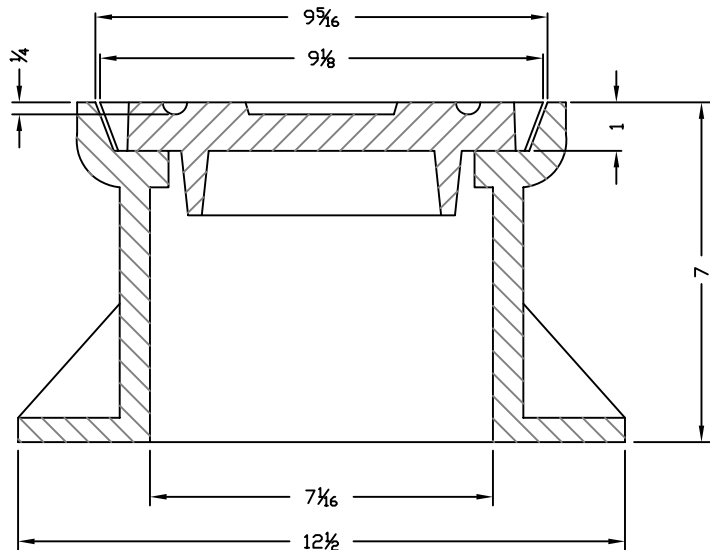


PLAN



SECTION-X-X

RV.NO	REVISION	DATE	RV. BY.	APPR.

R. B. AGARWALLA & Co.

2/6, SARAT BOSE ROAD, CALCUTTA-20, INDIA

TITLE: 2196-01-6000
VALVE BOX BODY & LID
W/4PC.LUG IN FRAME

DRAWN BY :- P.BHOWMIK DATE :- 24.7.86
 APPROVED BY :- BNA DRG. NO.:- N3808

DIMENSION:- All are in inches	MARKING:- Marking on of lid shall be done as per requirement.	MATERIAL:- ASTM A48 Class 30.
FINISH:- Coating will be black bituminous paint	MACHINING:- Not Required.	