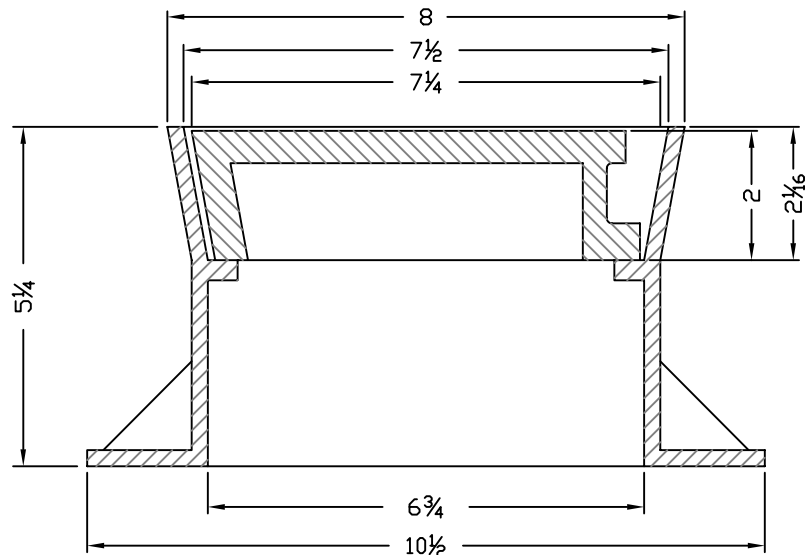


PLAN



SECTION-X-X

DIMENSION:- All are in inches	MARKING:- It will be casted as required.	MATERIAL:- ASTM A48 Class 30.
FINISH:- Coating will be black bituminous paint	MACHINING:- Not required.	

R.#	REVISION	DATE	R.BY	APPR.
R. B. AGARWALLA & Co.				
2/6, SARAT BOSE ROAD, CALCUTTA-20, INDIA				
TITLE:		#2194 (V-0675)		
		C.I. VALVE BOX COVER & LID.		
DRAWN BY :- P.BHOWMIK		DATE :- 13.12.86		
APPROVED BY :- BNA		DRG. NO.:- N3812		