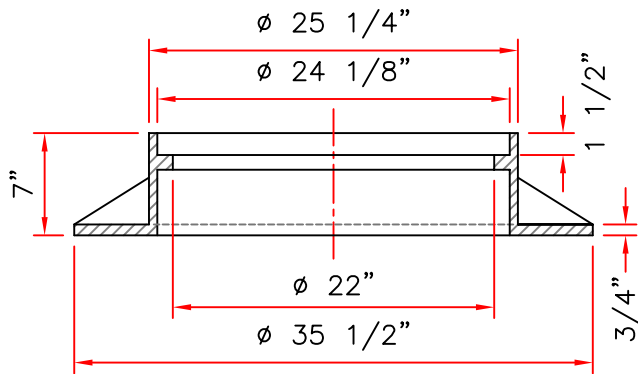
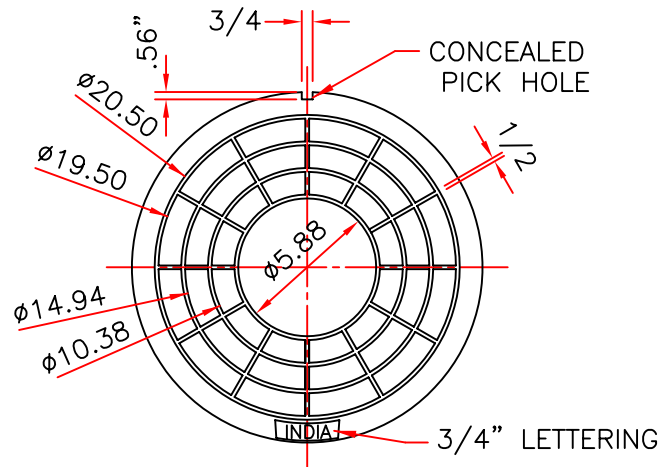


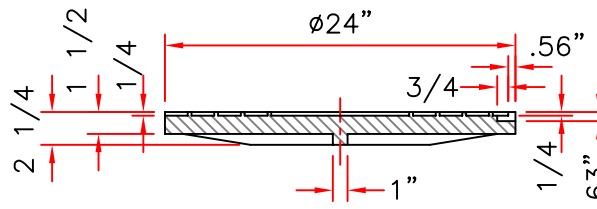
FRAME



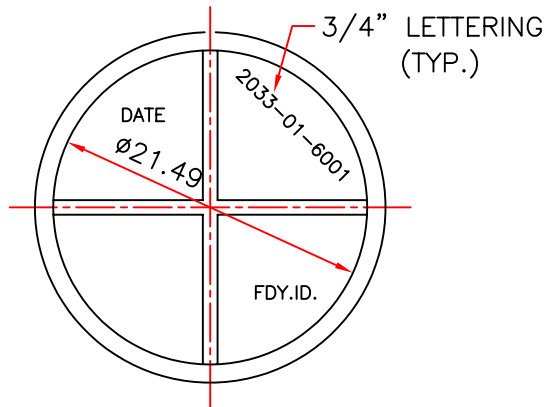
SECTION- XX.



TOP OF LID



SIDE VIEW



BOTTOM OF LID

NOTES:-

1. DIMENSION - ALL ARE IN INCHES.
2. FINISH - COATING WILL BE BLACK BITUMINOUS PAINT.
3. MARKING - IT WILL BE CASTED AS REQUIRED.
4. MACHINING - ALL BEARING SURFACES SHALL BE MACHINED.
5. MATERIAL - ASTM A48 CL.-35

R#	REVISION-	DATE	R.BY	APR.
R. B. AGARWALLA & CO.				
2/6, SARAT BOSE ROAD, KOLKATA-20. INDIA				
TITLE- CLAY & BAILEY				
COVER & FRAME				
(2033-01-6001 /				
2033-01-6050)				
DRAWN BY :- P.BHOWMIK		DATE:- 09.07.09		
CHECK BY :- BNA		PAT NO.		
APPROVED BY :- BNA		N2156		