

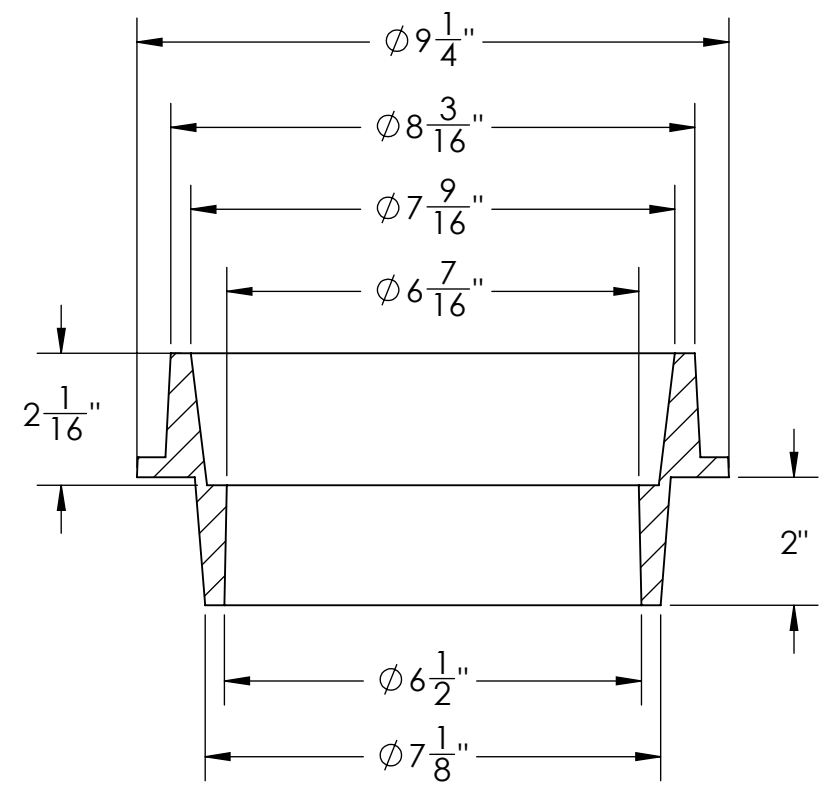
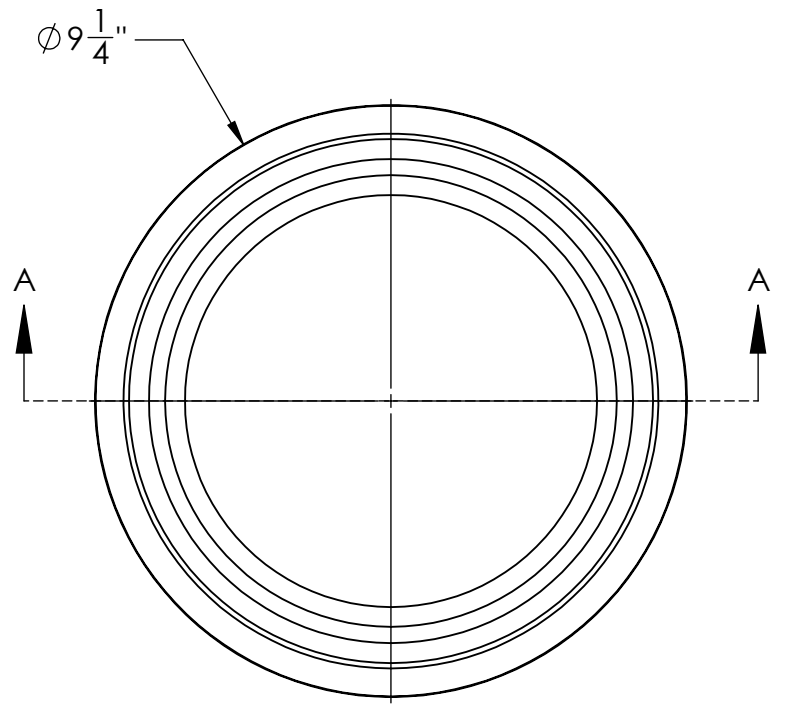
4

3

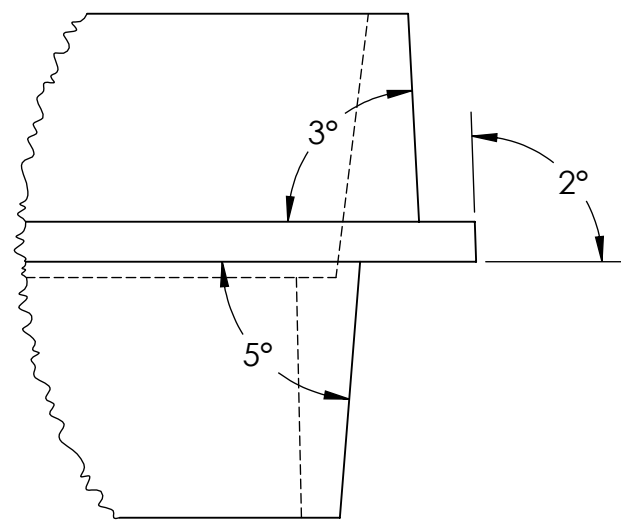
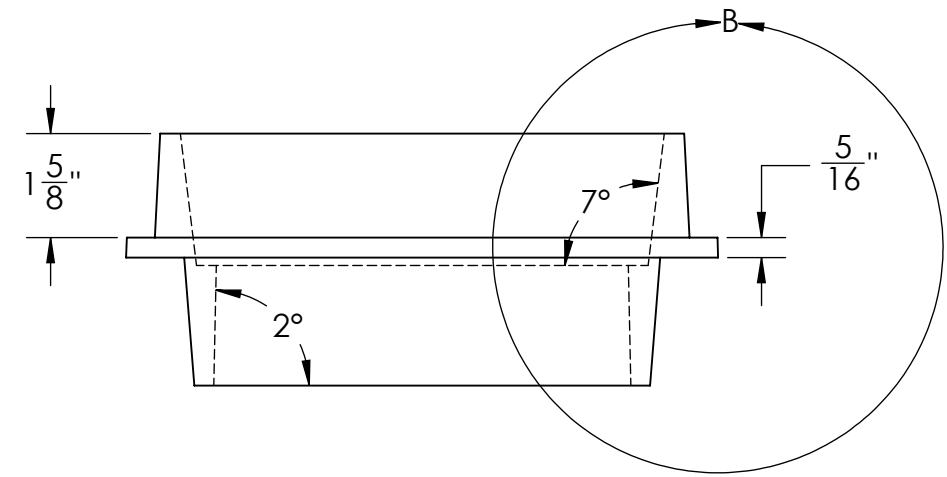
2

1

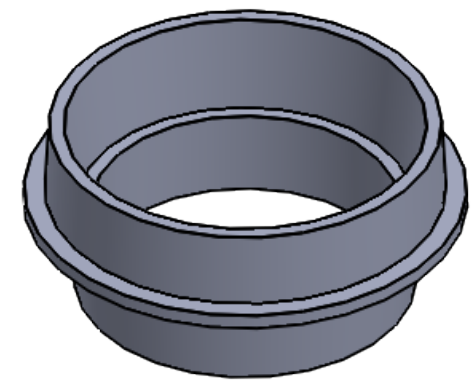
REVISIONS				
ZONE	REV.	DESCRIPTION	DATE	APPROVED



SECTION A-A



DETAIL B



UNLESS OTHERWISE SPECIFIED:
 DIMENSIONS ARE IN INCHES
 TOLERANCES:
 .X +/- 0.100
 .XX +/- 0.030
 .XXX +/- 0.010
 .XXXX +/- .0005
 ANGLES +/- 0.5

CLAY & BAILEY MFG. CO.

THIS DRAWING AND CONCEPTS DISCLOSED THEREON BELONG EXCLUSIVELY TO CLAY & BAILEY WHOSE PROPRIETARY RIGHTS THEREIN SHALL NOT BE APPROPRIATED IN WHOLE OR IN PART WITHOUT WRITTEN CONSENT.

TITLE: 2194/2195 RISER 2"		SIZE: B
DWG. NO.: 01080-01-6200		SCALE: 1:4
MATERIAL: GRAY IRON		SHEET 1 OF 1

APPROVALS	DATE
DRAWN: KH	4-27-2021
CHECKED: AAA	DATE
APPROVED: AAA	DATE



REV:

4

3

2

1