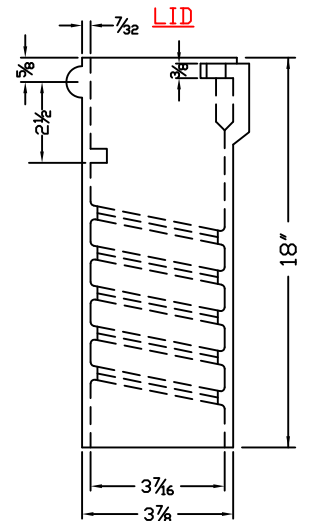
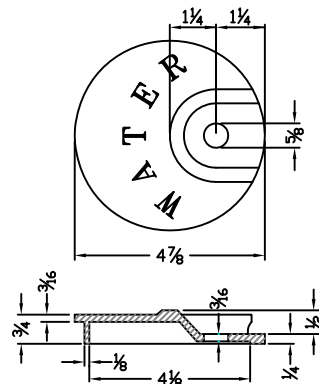
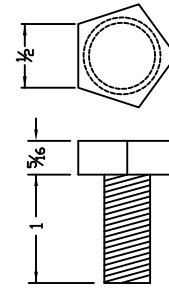


BOTTOM



TOP



R.#	REVISION	DATE	R.BY	APPR.
R. B. AGARWALLA & Co.				
2/6, SARAT BOSE ROAD, CALCUTTA - 20, INDIA				
TITLE:- 93D CURB SERVICE BOX (18" T + 33" B + LID)				
DRAWN BY:- P.BHOWMIK		DATE:- 28.06.18		
APPROVED BY:- BNA		DRG.NO.:- N3117		

DIMENSION:- All are in inches	MARKING:- Marking on lid shall be WATER unless otherwise specified.	MATERIAL:- ASTM A48 CLASS 30
FINISH:- Coating will be black bituminous paint	MACHINING:- Not Required. Repair lid can be provided on request.	