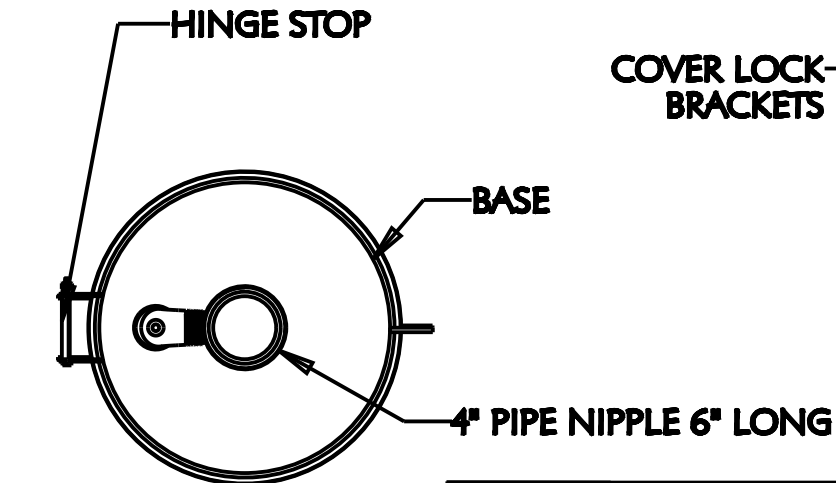
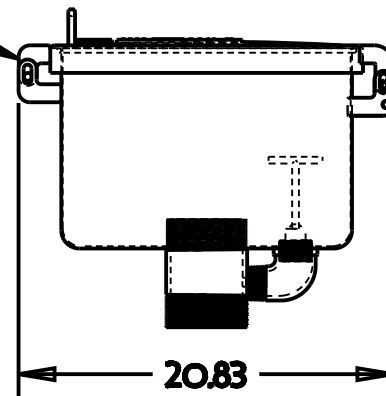


SECTION A-A

PUSH DRAIN



COVER LOCK BRACKETS



1 1/2" STREET ELBOW

TOLERANCES MATERIAL: 14 GA. STEEL

X ± .01
XX ± .003
XXX ± .0010
XXXX ± .0005

ANGLES ± .5°

CLAY & BAILEY MFG. CO.

NAME

75 GAL. SPILL CONTAINMENT BOX ASSEMBLY

WT:

SCALE:

DRAWN BY:

DWG.

6100-09-1754

REV.

APPROVED:

DATE 06/12/08

SHEET OF

THIS DRAWING AND CONCEPTS DISCLOSED THEREON BELONG EXCLUSIVELY TO CLAY & BAILEY WHOSE PROPRIETARY RIGHTS THEREIN SHALL NOT BE APPROPRIATED IN WHOLE OR IN PART WITHOUT WRITTEN CONSENT.