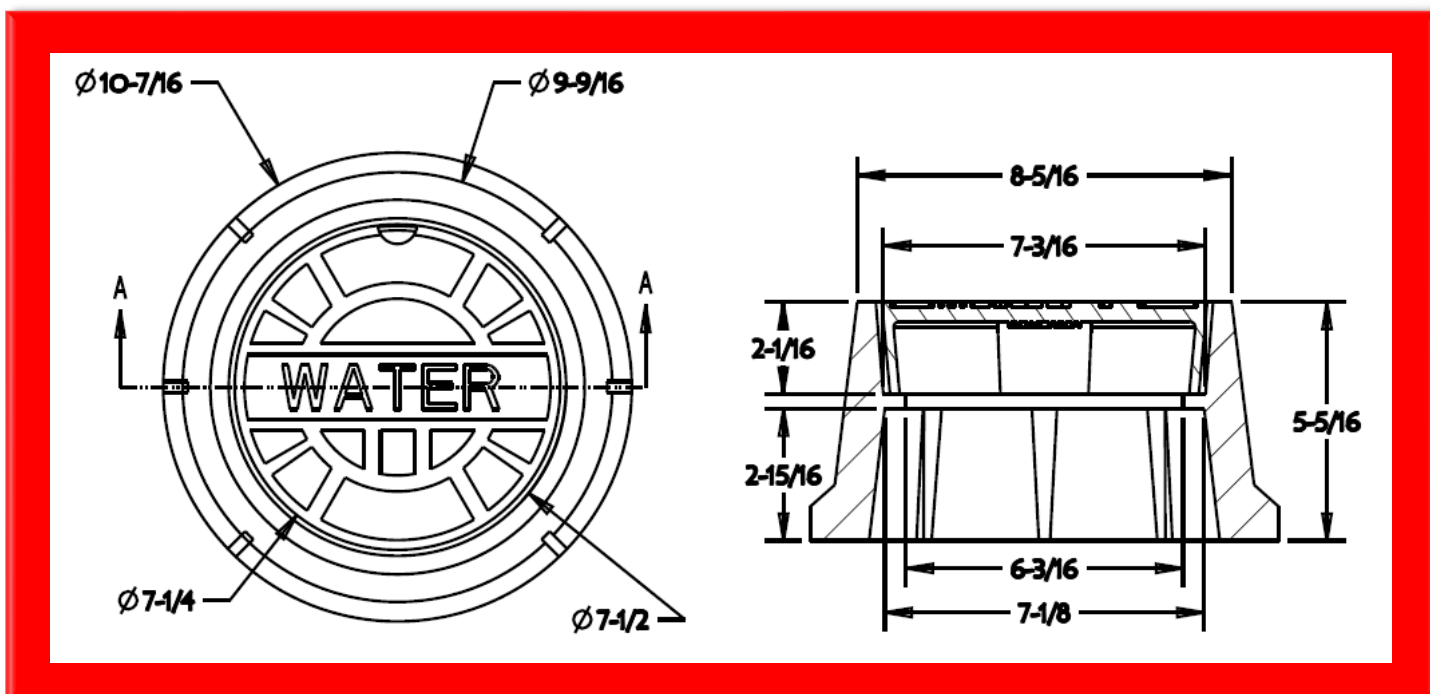


## 2194 VALVE BOX



### Features:

The 2194 Valve box is for use with a 6" PVC Plastic Pipe.

Lid markings available include:  
Water, Gas, Sewer, Drain, Cleanout, Lee's Summit Water, Survey, and Plain.  
They can also be etched with other markings at an additional fee.

These are available in both Foreign and Domestic.

The EJ 8500 series risers are used with this valve box in sizes ranging from 1" - 6".

### Part Number Variations:

02194-01-1001	Domestic Lid M/ Water
02194-01-1002	Domestic Lid M/ Gas
02194-01-1003	Domestic Lid M/ Sewer
02194-01-1004	Domestic Lid M/ Drain
02194-01-1009	Domestic Plain Lid
02194-01-1011	Domestic Lid M/ Cleanout
02194-01-1050	Domestic Ring
02194-01-1051	Domestic Lid M/ Survey
02194-01-6001	Foreign Lid M/ Water
02194-01-6002	Foreign Lid M/ Sewer
02194-01-6003	Foreign Lid M/ Lee's Summit Water
02194-01-6050	Foreign Ring

### Weights

Lid 6 ½ Lbs.  
Ring 14 ½ Lbs.

Material Spec:  
ASTM A48, CLASS 35B, GRAY IRON