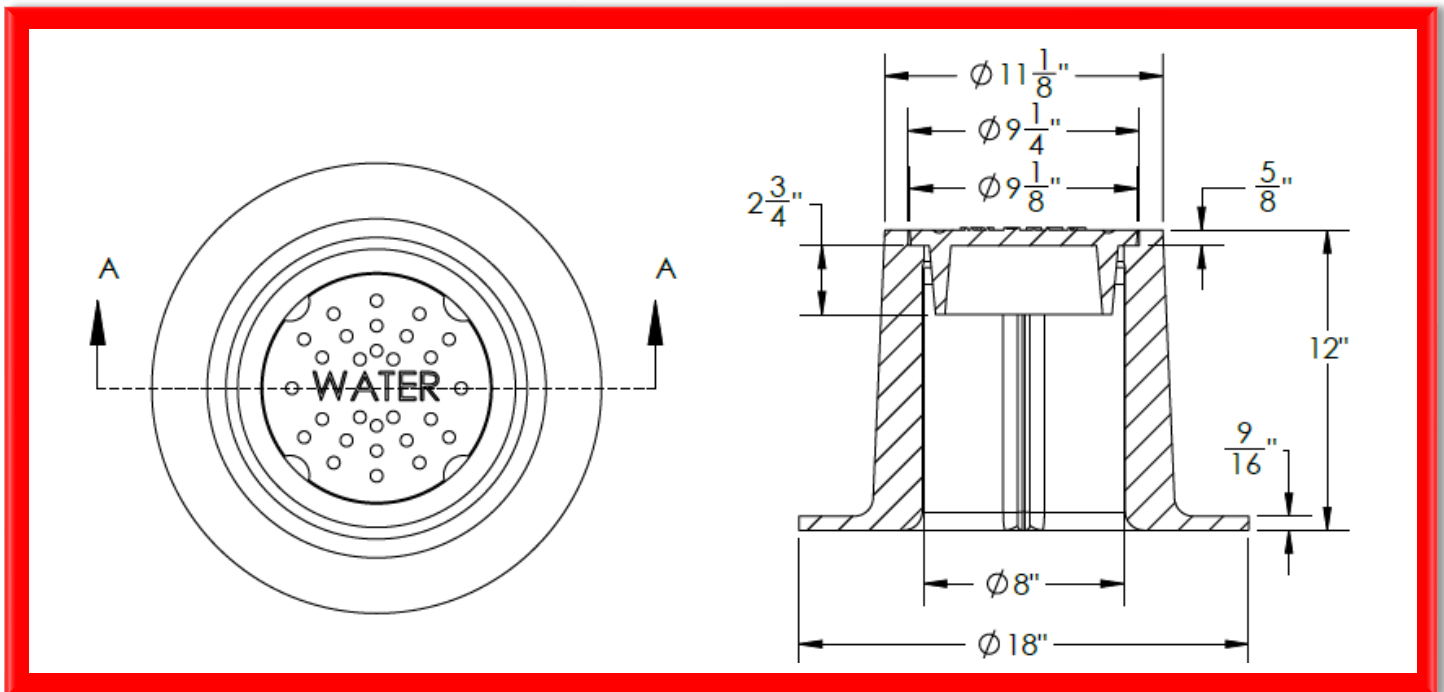


2193 VALVE BOX



Features:

The 2193 Valve box is for use on a water or gas shut off valve in the street. It is designed to carry heavy traffic. It is for use with a 6" Water Main Pipe.

Lid markings available include: Water, Survey, Gas, Sewer, Drain, and KCMO Water w/ Logo. They can also be etched with other markings at an additional fee.

These are available in both Foreign and Domestic.

The AM HWY 3020 series risers are used with this valve box in sizes ranging from 3/4" - 2 3/4".

Part Number Variations:

| | |
|---------------|--------------------------|
| 02193-01-1001 | Domestic Lid M/ Water |
| 02193-01-1003 | Domestic Lid M/ Survey |
| 02193-01-1021 | Domestic Lid M/ Gas |
| 02193-01-1051 | Domestic Lid M/ Sewer |
| 02193-01-1071 | Domestic Lid M/ Drain |
| 02193-01-2050 | Domestic Ring |
| | |
| 02193-01-6001 | Foreign Lid M/ Water |
| 02193-01-6002 | Foreign Lid M/ Sewer |
| 02193-01-6052 | Foreign Ring |
| 02193-01-6061 | Foreign Lid W/ KCMO Logo |

Weights

Lid 23 Lbs.
Ring 93 Lbs.

Material Spec:
ASTM A48, CLASS 35B, GRAY IRON