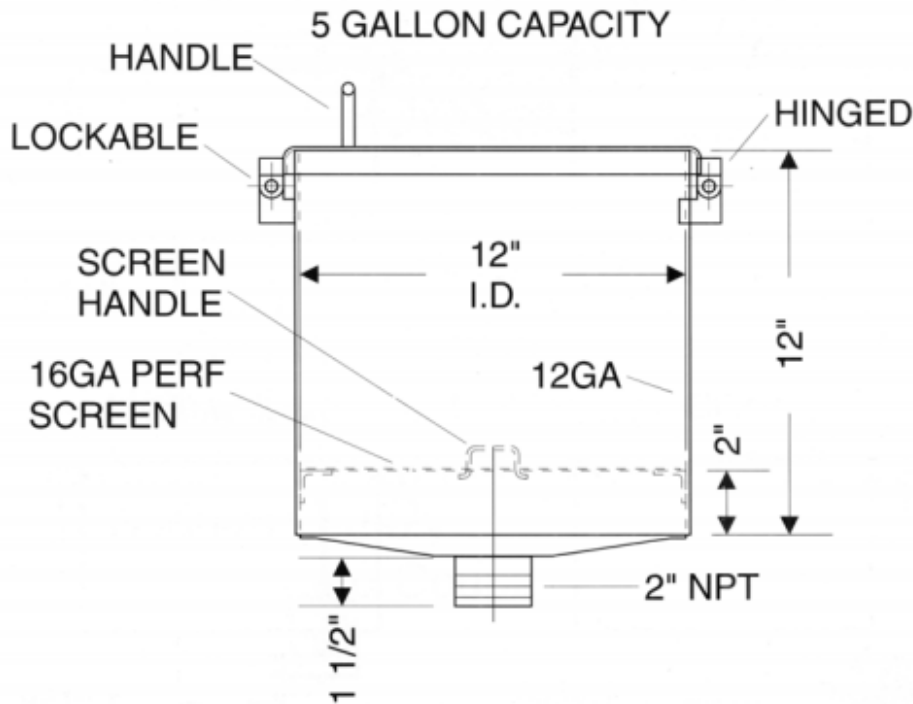


6100 Male Threaded 5 Gallon Spill Containment for Used Oil



6100 USED OIL

Features:

The economical solution to the problem of transferring used oil into an AST. Constructed of Durable 12GA mild steel with a 16GA mild steel perforated screen to support items left for draining. The lockable lid has a weather resistant design. The dished bottom allows for complete drainage. Standard connection is a 2" male NPT outlet. 4" male NPT is also available. Furnished unpainted, with the option of epoxy paint or powder coating. (Outside only)

Part #	Size	Weight/Lbs.
6100-09-1210	5 Gal.	29

