

Clay & Bailey Mfg. Co.



A CENTURY'S WORTH OF INNOVATION

01228-03-2024ALL Overfill Prevention Valve For Aboveground Storage Tanks



2024ALL

U.S. Patent #5,531,247

Features

Designed for AST's requiring high GPM flow rate, having a 4" NPT opening. The 01228-03-2024ALL was designed to be custom fit in the field. The 2024ALL can easily install in a 4" opening. Flow rate is over 200 gallons per minute at 40 psi. The 01228-03-2024ALL is rated for fuel delivery up to 100 psi and provides positive fuel shut off at high fill rates. Entirely mechanical in operation, the 01228-03-2024ALL can be used in remote fill applications, retrofitted to an existing AST. The 2" NPT fill opening allows easy connection to piping or cam fittings.

Can be used in gravity filling installations as no minimum operating pressure is required.

Clay & Bailey Overfill Prevention Valves can be used in a variety of Aboveground Storage Tank Equipment installations where reliable fuel handling petroleum equipment is required.

C&B 01228-03-2024ALL

Supplied with:

2" Cam Adaptor collar for a liquid tight fill connection.

01228-03-2054 2" Dust Cap

01228-03-5096 8ft Drop Tube

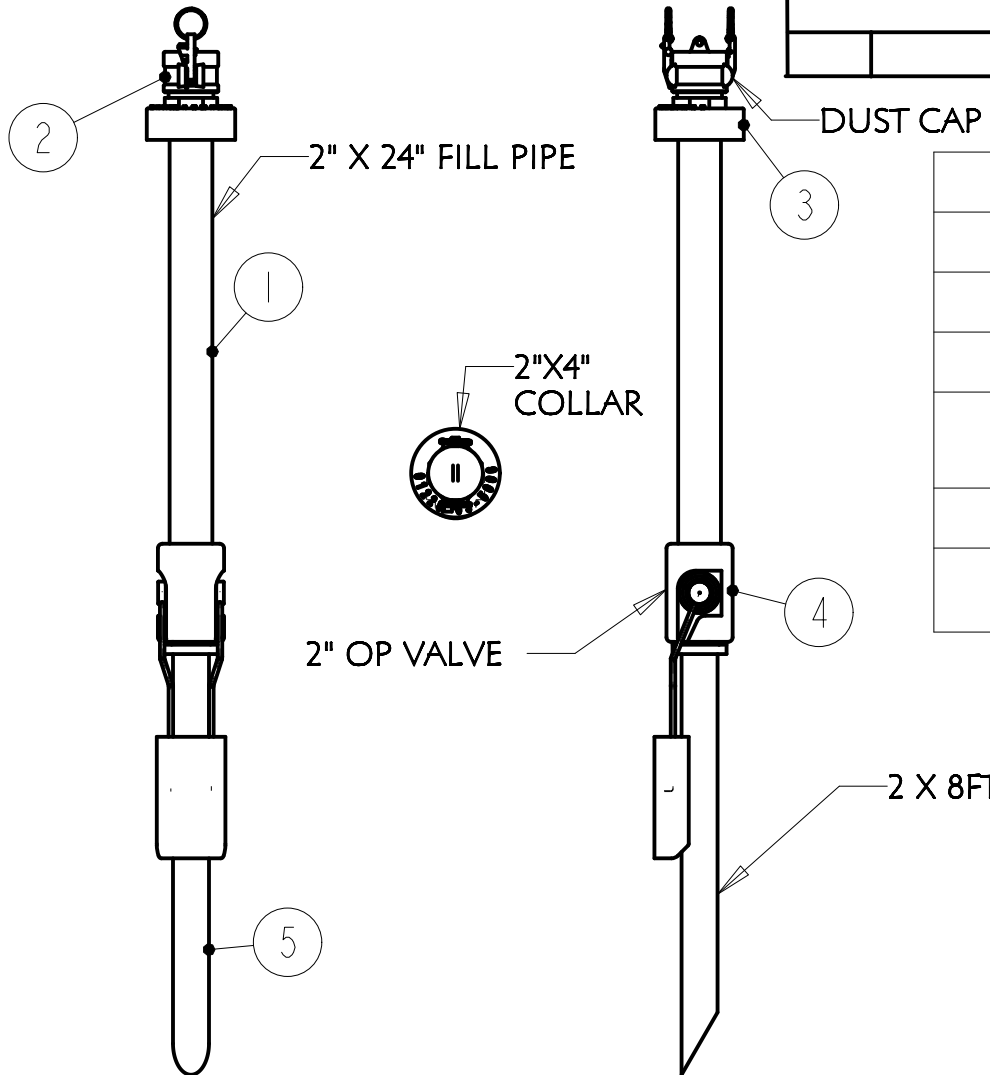
*Applicable for fuels other than #5 and #6 fuel oils. Consult factory for special applications.



Now UL 2583 Listed



Clay & Bailey Overfill Prevention Valves comply with PEI RP200, RP600, UFC, IFC and Florida DEQ.



BILLS OF MATERIALS		
ITEM #	DESCRIPTION	PART #
1	24" FILL PIPE	O1228-03-2124
2	DUST CAP	O1228-03-2054
3	2"X4" CAM LOCK COLLAR	O1228-03-5006
4	2" OP VALVE	O1228-03-2060
5	2 X 8FT DROP TUBE	O1228-03-5096

TOLERANCES X +/- 0.1 XX +/- 0.03 XXX +/- 0.010 XXXX +/- 0.0005 ANGLES +/- 0.5°	MATERIAL:
	WT:
	SCALE:

CLAY & BAILEY MFG. CO.			
NAME:			
2" ALL FILL LIMITER W/ CAMLOCK			
DRAWN BY:	K.O.	DWG:	O1228-03-2024ALL
APPROVED:	D.D.	DATE:	01/06/17
		SHEET	OF

THIS DRAWING AND CONCEPTS DISCLOSED THEREON BELONG EXCLUSIVELY TO CLAY & BAILEY WHOSE PROPRIETARY RIGHTS THEREIN SHALL NOT BE APPROPRIATED IN WHOLE OR IN PART WITHOUT WRITTEN CONSENT.

REV.