

Features

Suitable for applications such as crude oil, where a 16" or 20" full opening and 8" fill opening is needed. Recommended working pressure is 25 psi. "Ball in Socket" hinge and cam design provides positive locking and prevents 8" cover from fully opening when trailer is still under pressure. Cover assembly is available in Mild Steel Plated. Buna N base gasket and bolts and nuts are optional and available.

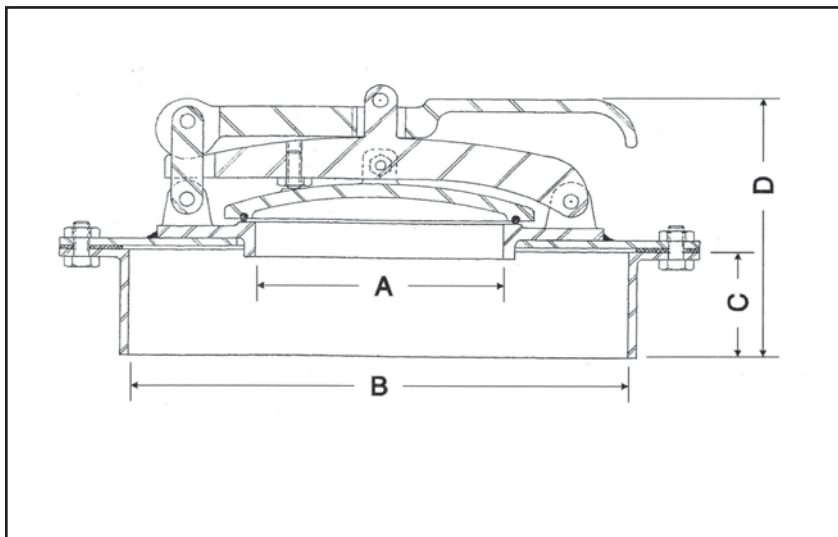


1197-543

Part No.	Size	Material	Wt./Lbs.
1197-01-8300	16x8	Mild Steel	72
1197-01-8301*	16x8	Mild Steel	48
1197-01-9300	20x8	Mild Steel	88
1197-01-9301*	20x8	Mild Steel	64
1197-03-8300	16x8	Aluminum	49
1197-03-8301*	16x8	Aluminum	34

*-Less Collar

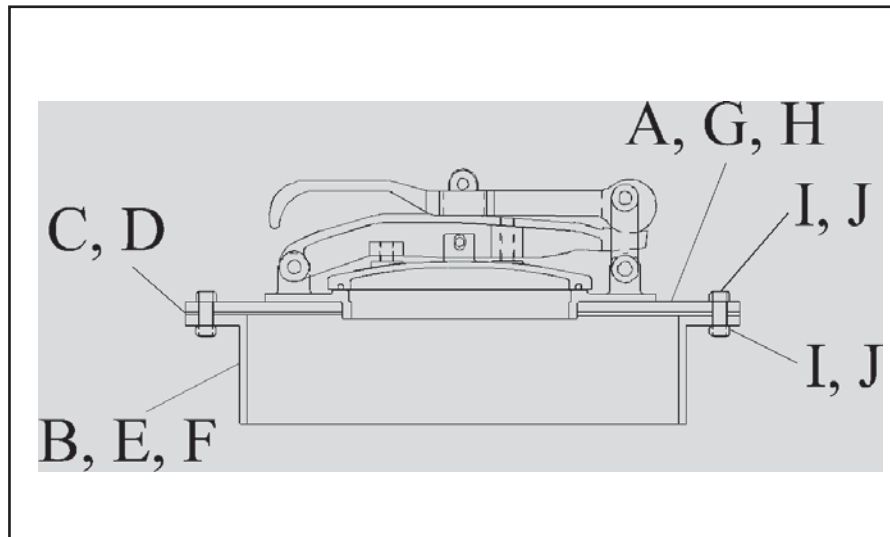
Dimensions	A	B	C	D
16"	8"	16"	4"	10"
20"	8"	20"	4"	10"



Repair Parts Listing

Item	Part Number	Description	Material
A	1197-03-8002	16" Cover Only	Aluminum
B	1197-03-8302	16" D.P. Collar	Aluminum
C	1197-05-1632	16" D.P. F.F. Gasket	Buna N
D	1197-05-2032	20" D.P. F.F. Gasket	Buna N
E	1197-09-8302	16" D.P. Collar	Mild Steel
F	1197-09-9302	20" D.P. Collar	Mild Steel
G	1197-11-8002	16" Cover Only	Mild Steel
H	1197-11-9302	20" Cover Only	Mild Steel
I	1197-17-1632	Bolts & Nuts	M.S. Pltd.
J	1197-17-9332	Bolts & Nuts	M.S. Pltd.

For other Parts see 1197 Parts Listing



Maintenance

Periodic inspection of the hinge, cam and gasket is necessary to insure proper working order.