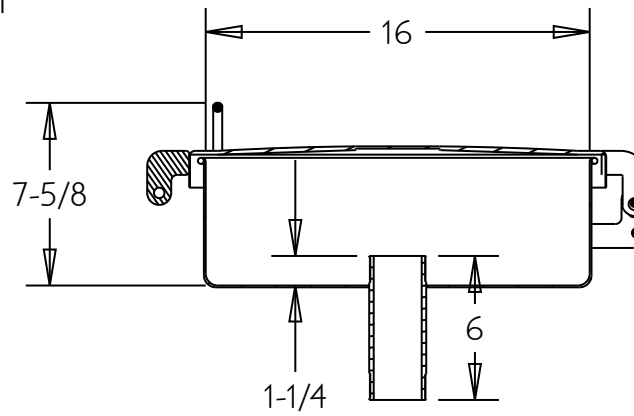
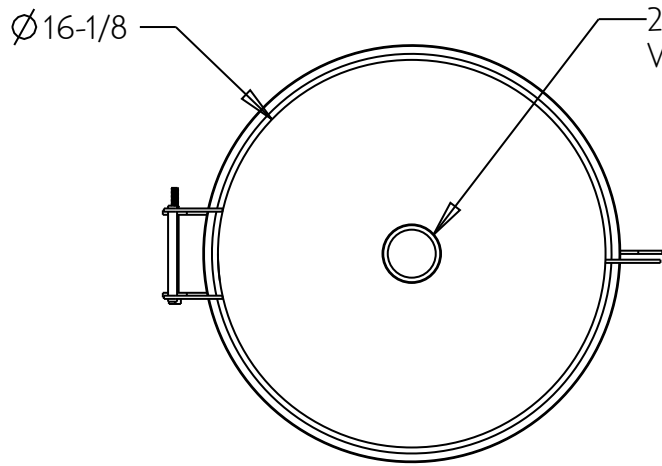


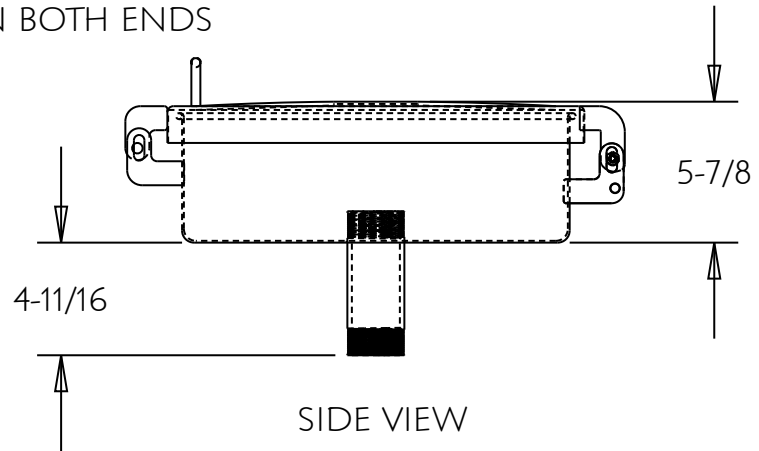
TOP VIEW



SECTION A-A



BOTTOM VIEW



SIDE VIEW

2" PIPE X 6" LONG
WITH 2" NPT ON BOTH ENDS

THIS DRAWING AND CONCEPTS DISCLOSED THEREON BELONG EXCLUSIVELY TO CLAY & BAILEY WHOSE PROPRIETARY RIGHTS THEREIN SHALL NOT BE APPROPRIATED IN WHOLE OR IN PART WITHOUT WRITTEN CONSENT.

MATERIAL: STEEL

CLAY & BAILEY MFG. CO.

NAME:

3.5 GALLON SPILL CONTAINMENT
WITH 2" CONNECTION ASSEMBLY

WT:

DWG:

6100-09-1235

SCALE: 1/8

DATE: 06/25/08