

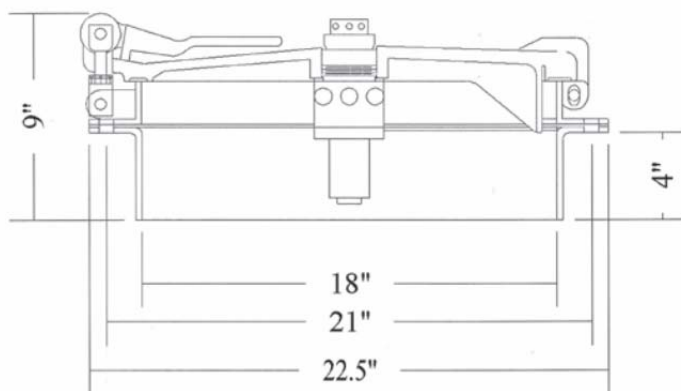
1890 DOT Pressure Manhole



1890

Features:

Heavy duty 18" manhole suitable for oil field service trailers. Tested to 36 PSI and exceeds DOT 178.345-5 specifications. When installed with the #2186 vent, the products exceed the DOT 412 requirements. Outstanding safety feature of "Ball in Socket" cam handle design is standard. All units come with a Buna cover gasket.



Part No.	Description	Wt./Ls.
1890-01-1800	18" Manhole with 2" Base - Less Vent, Hood, Base Gasket & Collar	87
1890-09-1840	18" Manhole with 4" Base - Less Vent, Hood, Base Gasket & Collar	97



Clay & Bailey Mfg. Co.



A CENTURY'S WORTH OF INNOVATION

1890 DOT Pressure Manhole

ACCESSORIES

STOCK CODE	DESCRIPTION
1890-09-1826	4" WELD COLLAR
1890-09-1827	7" WELD COLLAR
1890-09-3018	DRIP PAN , 10 GA STEEL
1890-14-3018	30" DRIP PAN, FIBERGLASS
1890-14-3218	32" DRIP PAN, FIBERGLASS

GASKETS

STOCK CODE	DESCRIPTION
1890-05-1812	18" COVER GASKET BUNA-N
1890-05-1813	18" COVER GASKET VITON
1890-05-1822	18" BASE GASKET BUNA-N (18 HOLES)
1890-05-1823	18" BASE GASKET VITON

