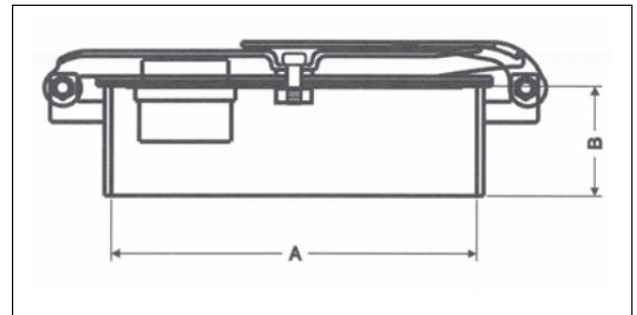


945 Inspection Hatch



Features:

A low profile dome ideal for non-specification trailers or tanks requiring an inspection opening and venting. Full 8" opening when hinge and cam are released. Standard gasket is NC757 material with the 37X aluminum vent.



| Part No. | Size | Wt. | A | B | Material |
|--------------|------|------|----|----|------------|
| 0945-03-8000 | 8" | 9.0 | 8" | 4" | Aluminum |
| 0945-07-8000 | 8" | 12.0 | 8" | 4" | 304SST* |
| 0945-09-8000 | 8" | 12.0 | 8" | 4" | Mild Steel |

*Parts not in contact are mild steel plated.

