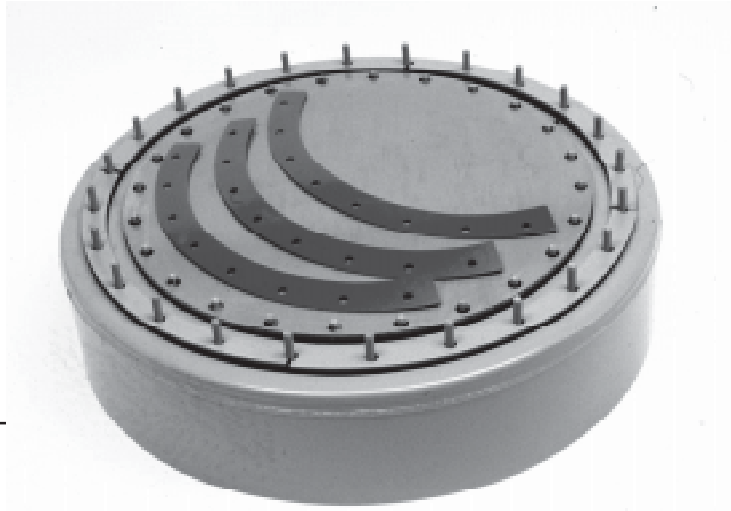


Features

Designed for use on double wall, jacketed or composite UST or AST tanks. Made of 1/4" mild steel, exterior welds are finished to accommodate containment jacket membranes or composite applications. Frame Cylinder is consistent in diameter from top to bottom for easy installation.



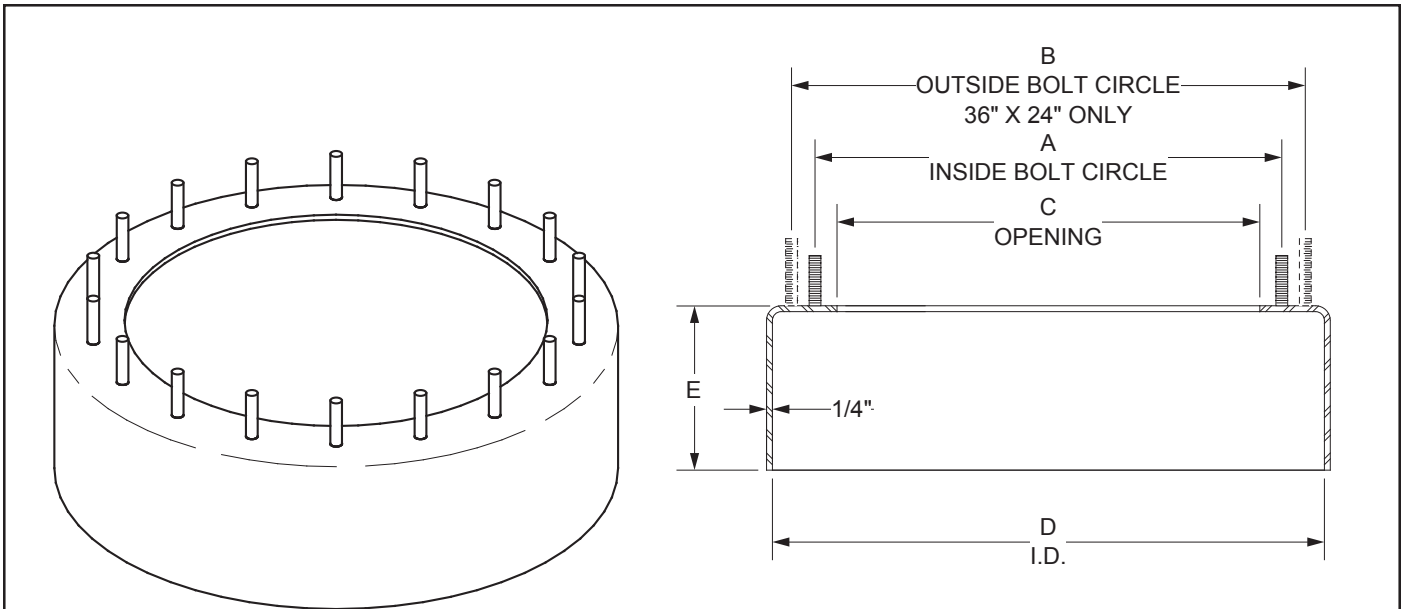
544 Reverse Flange Manway

Part No.	Size	Wt.lbs
0544-09-2417	24"x18"	97.0
0544-09-3024	30"x24"	110.0
0544-09-3624	36"x24"	141.0
0544-09-3626 ¹	36"x24"	149.0*
0544-09-4236	42"x36"	110**

*w/ 5/16 lid 3/4" holes
**without lid

¹Accommodates Lid Isolation Gasket

Sump separation and lid isolation gaskets shown are available as options.



REVERSE FLANGE MANWAY DIMENSIONS

SIZE OF MANWAY INCHES	A	B	C	D	E	LENGTH OF 1/2" STUDS	NUMBER OF STUDS
24" x 18"	21"	----	18"	24"	12"	1.25"	18
30" x 24"	27"	----	24.5"	30"	7.25"	2.125"	24
36" x 24"*	27"	32"	24"	36"	8"	I.D./O.D. 1 1/4" / 2"	I.D./O.D. 24 / 24
42" x 36"	38.5"	----	36"	42"	6"	2"	18

* The 36" x 24" is furnished with two rows of studs.

