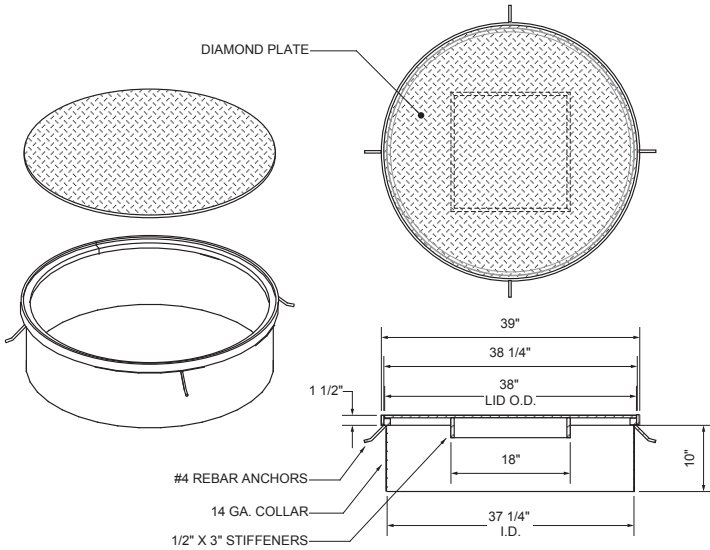




2094

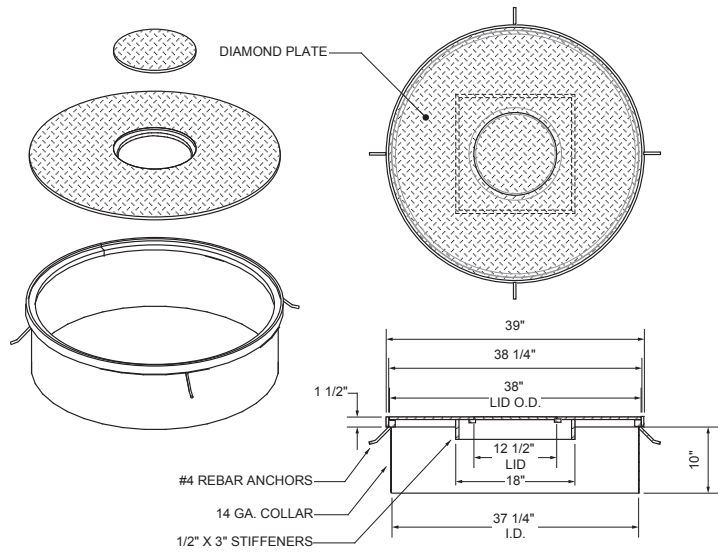
Features

Heavy Duty manhole that can be used in a wide variety of applications, including service stations, commercial and industrial sites. All manholes are rated to the Federal Specification RR-F-621 which is the most stringent requirement known to the industry. The units consist of 3/8" reinforced diamond plate lids, 14ga mild steel collar and 4 anchor rods. Large lid available with either 1 or 2 smaller covers for access to piping and vapor recovery. Optional features are flush mounted handle to prevent tripping, locking, recessed bolts for security, various collar heights and gaskets for water resistant sealing.



Part No.	Size	Weight lbs
2094-09-1800	18"	49.0
2094-09-3000	30"	141.0
2094-09-3600	36"	186.0

Part No.	Size	Weight lbs
2094-09-1801	18"	49.0
2094-09-3001	30"	141.0
2094-09-3601	36"	186.0



Part No.	Size	Weight lbs
2094-09-1802	18"	49.0
2094-09-3002	30"	141.0
2094-09-3602	36"	186.0

