

Weight:

Ring 167 lbs
Outer lid 173 lbs
Inner lid 13 lbs

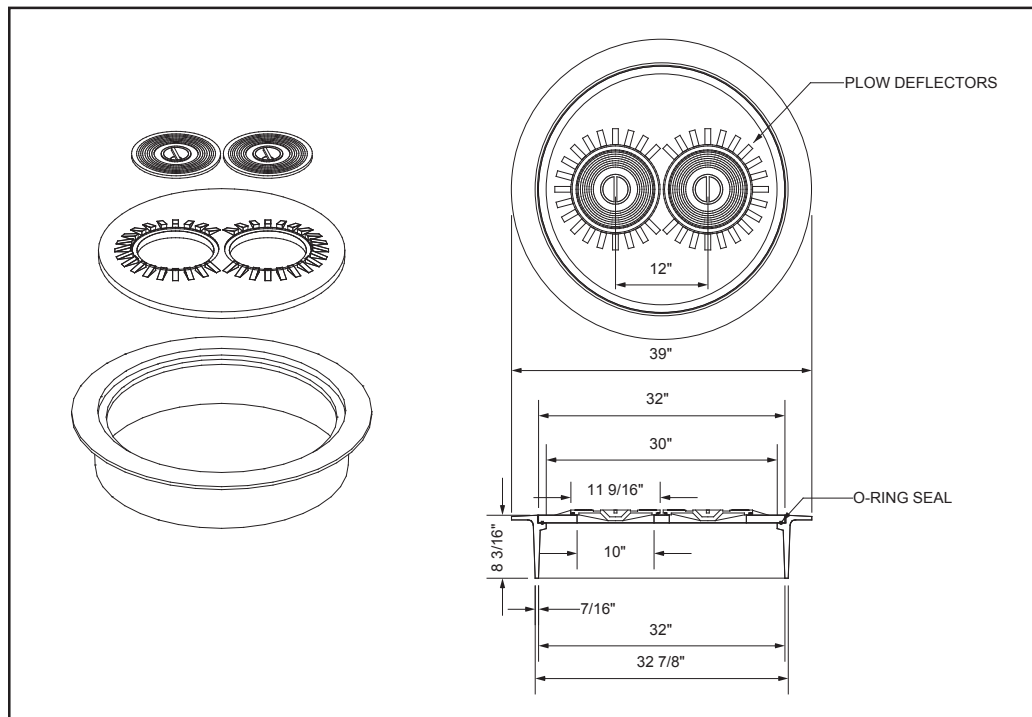
Part No.	Size
1228-01-3000	30"
2093-01-1004	30"



1228

Features

Heavy Duty cast iron manhole that is very versatile in service station applications. The #1228 features a 30" clear opening outer lid that allows access to the containment sump or fittings. The 2 inner lids allow access to the fuel riser and vapor recovery riser without having to remove the large outer lid. Standard features include plow deflection for the inner lids, machined lid seats with o-ring gaskets for water resistance, and inner lids with a non-skid surface finish for safety.



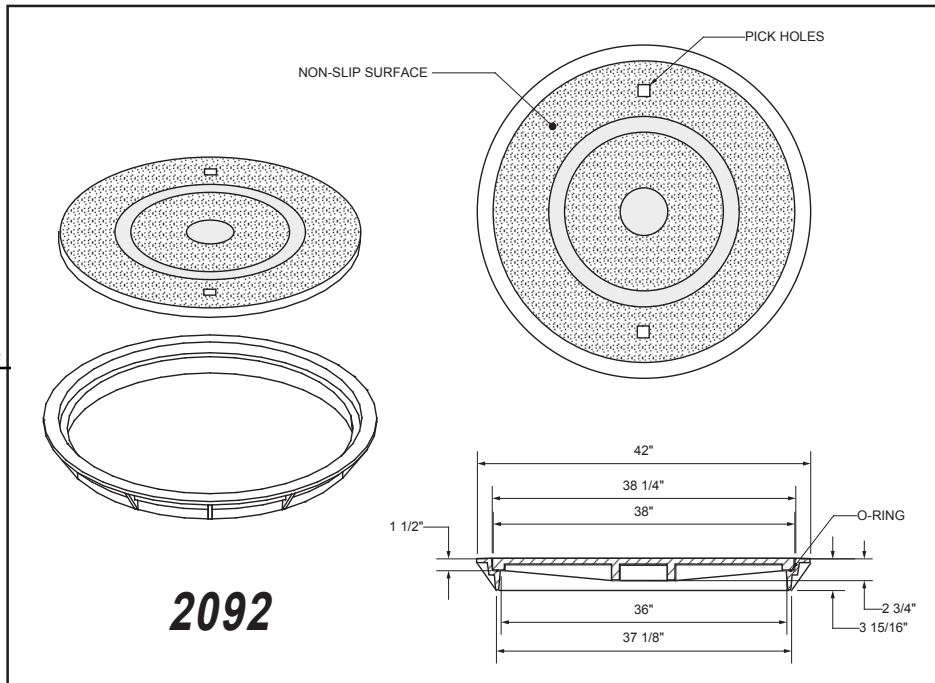
Features

Heavy Duty cast iron manhole suited for service stations, industrial and commercial applications where a full 36" clear opening is required. This manhole has been tested to the federal specification RR-F-621, the most stringent requirement known to the industry. Standard features include a non-skid surface for foot traffic safety, machined ring and lid with a Buna-Nitrile "O"-ring gasket for a water resistant seal.

Weight:

Ring 200 lbs
Lid 210 lbs

Part No.	Size
2092-01-3600	36"



2092

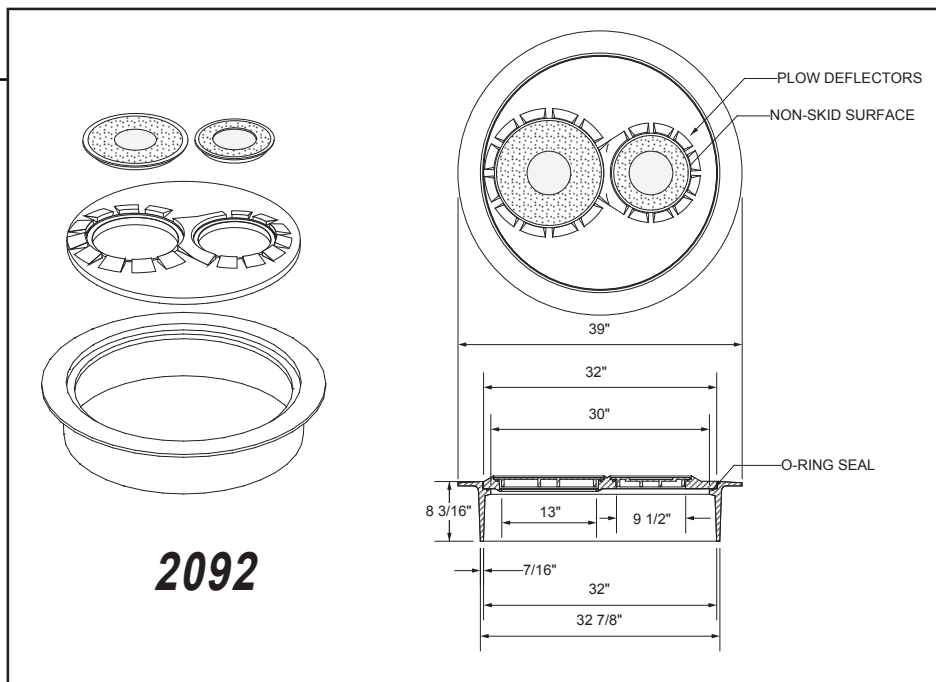
Features

Heavy Duty cast iron manhole that is very versatile in service station applications. The #2092 features a 30" clear opening outer lid that allows access to the containment sump or fittings. The 2 inner lids allow access to the fuel riser and vapor recovery riser without having to remove the large outer lid. Standard features include plow deflection for the inner lids, machined lid seats with o-ring gaskets for water resistance, and a non-skid surface finish for safety.

Part No.	Size
2092-01-1000	30"

Weight:

Ring 167 lbs
Outer lid 173 lbs
Large inner lid 41 lbs
Small Inner lid 15 lbs



2092

